

**\* ANDAMIRO WARRANTS the parts from date of shipment as follows.**

**- One Year Limited Warranty : Electronic Boards & Monitor**

**- 6 Month Limited Warranty : Moving Parts**

## **CONTENTS**

### **[ ERROR CODE ]**

1. ERROR CODE .....P01

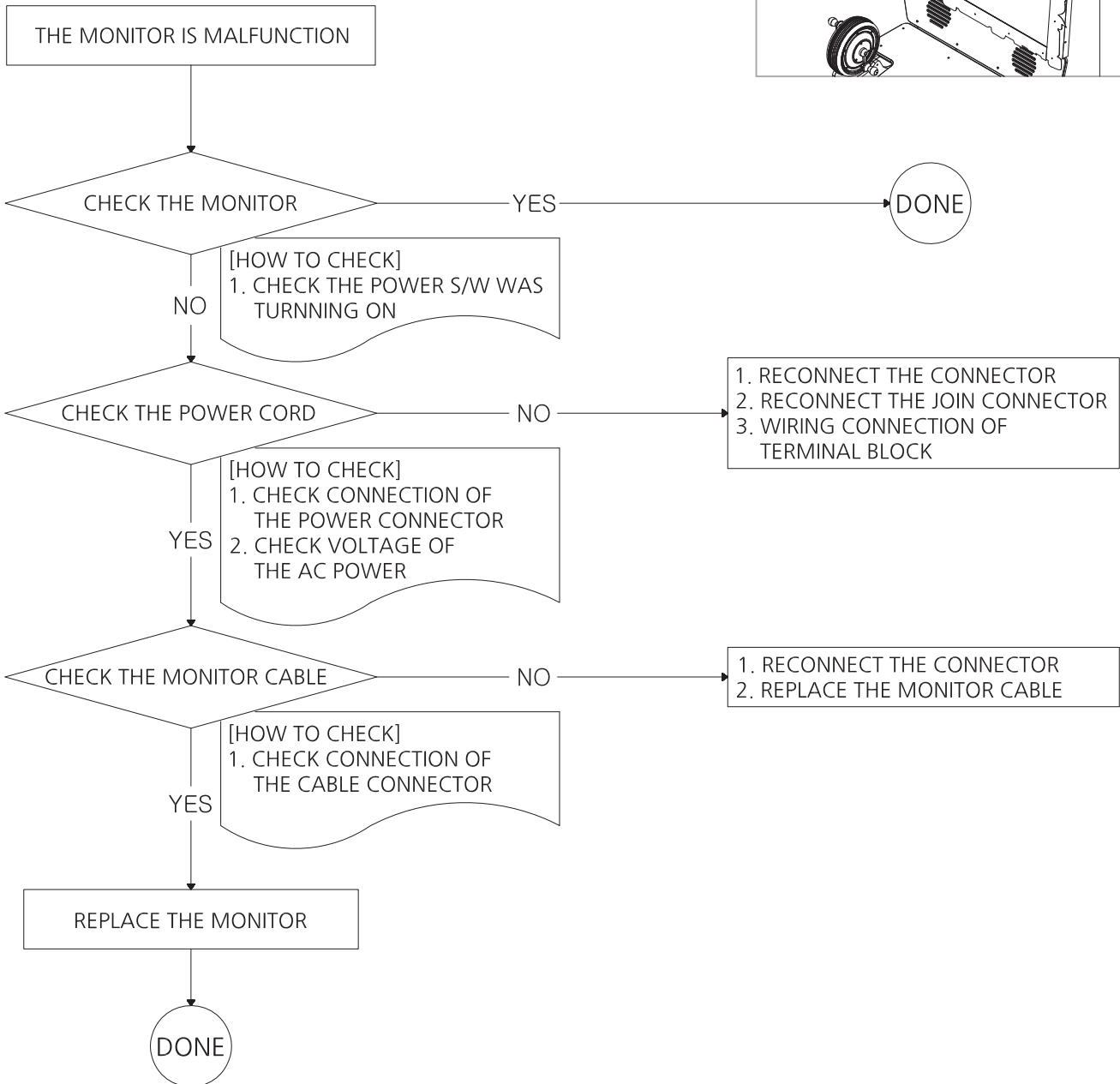
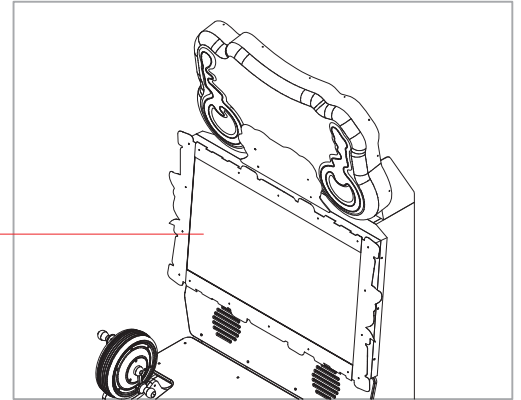
2. TROUBLESHOOTING .....P02

ERROR CODE	ERROR	DESCRIPTION	CHECK POINT
<b>E0-02</b>	SYSTEM	SETUP DATA READ/WRITE ERROR	1. SETUP MENU -> FACTORY DEFAULT -> SYSTEM REBOOT 2. REPLACE HDD IF STILL SAME PROBLEM
<b>E0-03</b>		SETUP DATA ERROR	1. SETUP MENU -> FACTORY DEFAULT -> SYSTEM REBOOT 2. REPLACE HDD IF STILL SAME PROBLEM
<b>E0-10</b>		I/O BOARD CONNECTION ERROR	1. CHECK USB CONNECTION BETWEEN MK BOX AND I/O BOARD 2. REPLACE I/O BOARD OR MK BOX IF STILL SAME PROBLEM
<b>E0-20</b>		USB LOCK DEVICE CONNECTION ERROR	1. CHECK CONNECTION BETWEEN MK BOX AND USB LOCK 2. CHECK RED LED LIGHT IS ON AT USB LOCK 3. REPLACE USB LOCK OR MK BOX IF STILL SAME PROBLEM
<b>E1-01</b>	COIN MACHINE	1P COIN MACHINE SENSOR ERROR	1. CHECK NC, NO SWITCH ON 1P COIN MACHINE (IF IT IS ON NC, CHANGE TO NO AND REBOOT) 2. CHECK SENSOR OF 1P COIN MACHINE
<b>E1-02</b>		2P COIN MACHINE SENSOR ERROR	1. CHECK NC, NO SWITCH ON 1P COIN MACHINE (IF IT IS ON NC, CHANGE TO NO AND REBOOT) 2. CHECK SENSOR OF 2P COIN MACHINE
<b>E3-01</b>	WHEEL ENCODER	1P WHEEL ENCODER SENSOR ERROR	1. CHECK AND REPLACE FRONT, REAR SENSOR OF 1P WHEEL ENCODER (SETUP MENU -> I/O TEST -> INPUT TEST -> 1P WHEEL ENCODER TEST)
<b>E3-02</b>		2P WHEEL ENCODER SENSOR ERROR	1. CHECK AND REPLACE FRONT, REAR SENSOR OF 2P WHEEL ENCODER (SETUP MENU -> I/O TEST -> INPUT TEST -> 2P WHEEL ENCODER TEST)
<b>ET-01</b>	TICKET ERROR	1P TICKET DISPENSING ERROR	1. CHECK TICKET JAM OR STOCK OF 1P TICKET MACHINE 2. CHECK SENSOR, MOTOR OF 1P TICKET MACHINE 3. REPLACE TICKET MACHINE IF STILL SAME PROBLEM
<b>ET-02</b>		2P TICKET DISPENSING ERROR	1. CHECK TICKET JAM OR STOCK OF 2P TICKET MACHINE 2. CHECK SENSOR, MOTOR OF 2P TICKET MACHINE 3. REPLACE TICKET MACHINE IF STILL SAME PROBLEM

# [ TROUBLESHOOTING ]

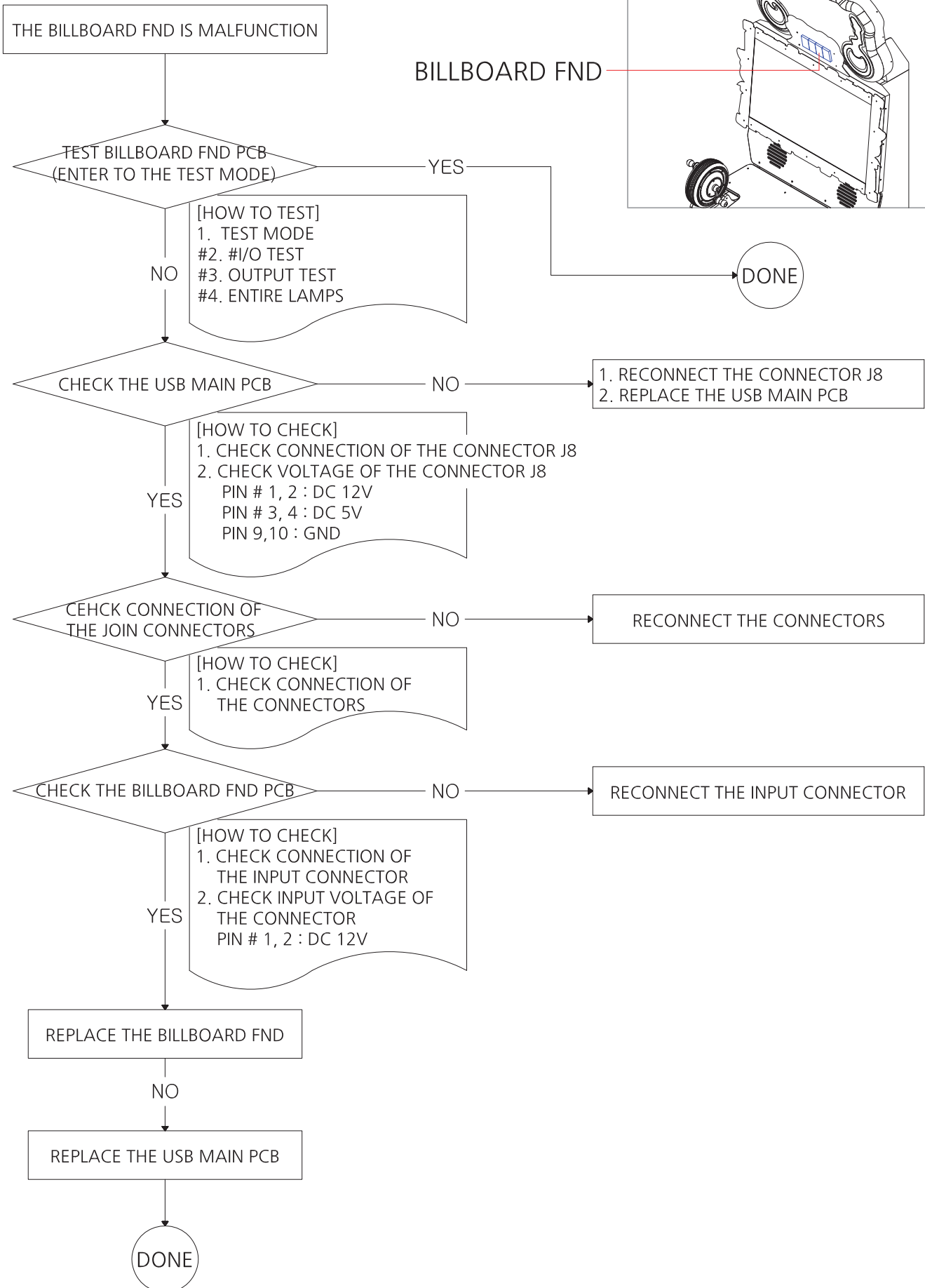
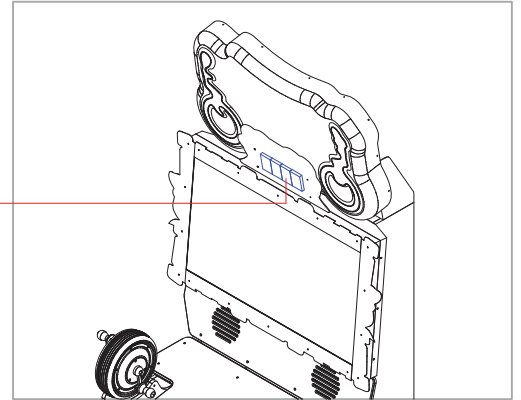
- \* General : Check the supply voltage and wiring connection properly
- \* "NO" : Means faulty of the check up result.

## 1. MONITOR ERROR



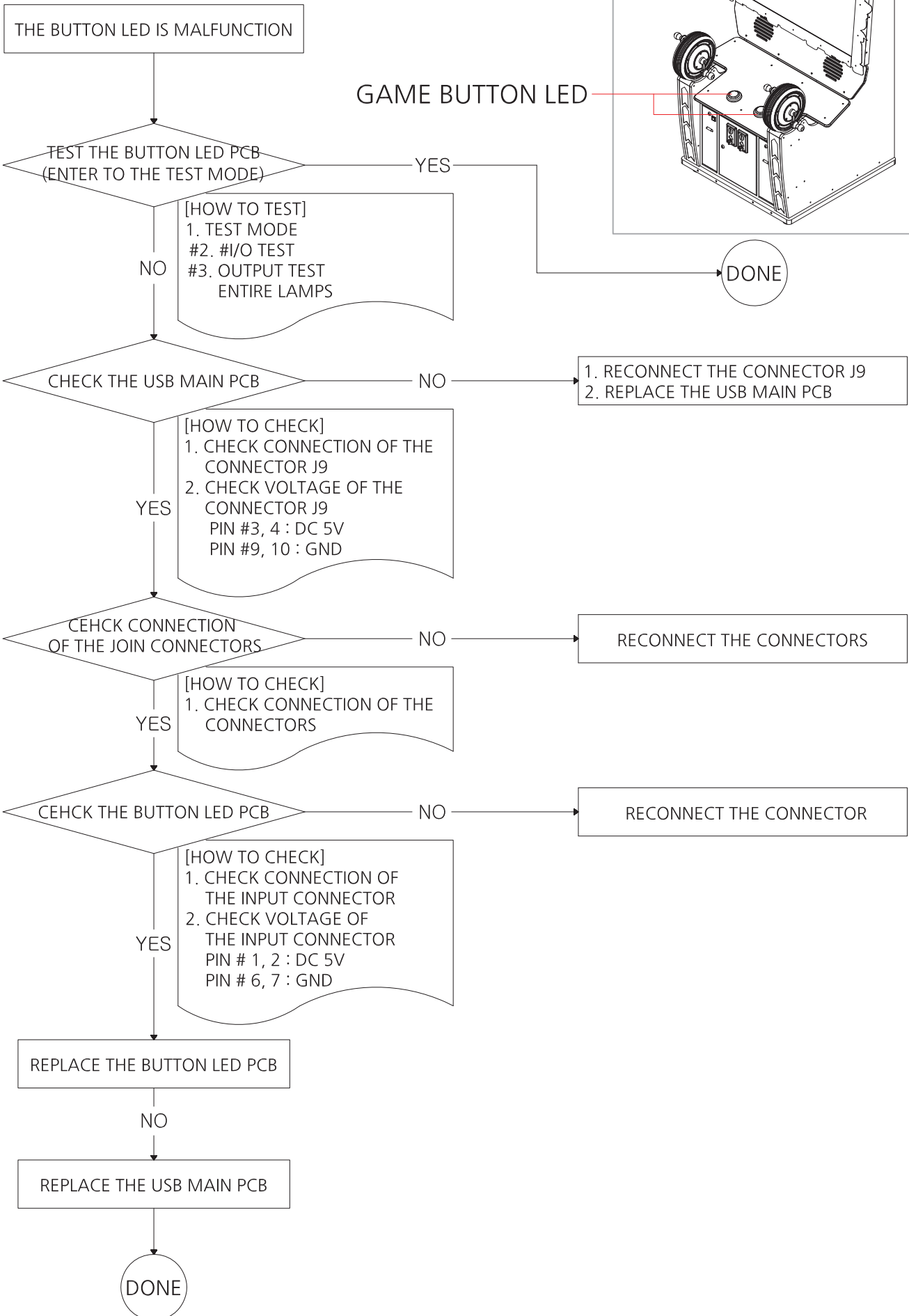
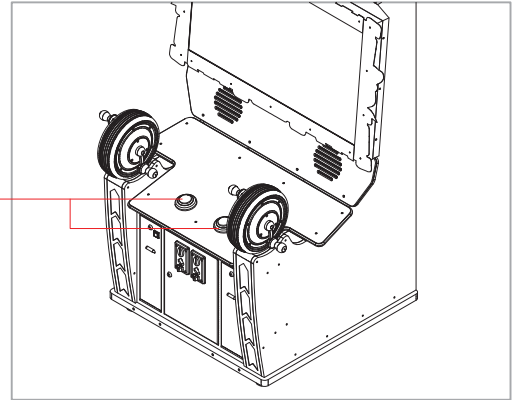
\* General : Check the supply voltage and wiring connection properly  
 \* "NO" : Means faulty of the check up result.

## 2. BILLBOARD FND PCB ERROR



\* General : Check the supply voltage and wiring connection properly  
 \* "NO" : Means faulty of the check up result.

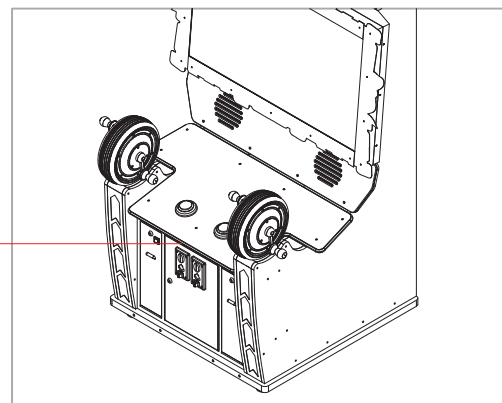
### 3. 1, 2P GAME BUTTON LED PCB ERROR



\* General : Check the supply voltage and wiring connection properly  
 \* "NO" : Means faulty of the check up result.

## 4. THE LED IS MALFUNCTION (1P, 2P) FROM FRONT LED PCB

THE LED IS MALFUNCTION (1P, 2P) FROM THE FRONT LED PCB  
 ARRANGEMENT : FRONT LED PCB ->  
 CONTROLLER SIDE LED PCB-L -> WS2813 FLEX LED



TEST THE LED  
 (ENTER TO THE TEST MODE)

YES

DONE

NO

[HOW TO TEST]  
 1. SETUP MANU  
 #2. # I/O TEST  
 #3. OUTPUT TEST  
 #4. ENTIRE LAMPS

CHECK THE USB MAIN PCB

NO

RECONNECT THE CONNECTOR JP27

YES

[HOW TO CHECK]  
 1. CHECK CONNECTION  
 OF THE CONNECTOR JP27

CHECK THE WS2812B MAIN I/O PCB

NO

1. RECONNECT THE CONNECTOR  
 2. REPLACE THE WS2812B MAIN I/O PCB

YES

[HOW TO CHECK]  
 1. CHECK CONNECTION OF THE  
 CONNECTOR J10  
 2. CHECK CONNECTION OF THE  
 CONNECTOR JP5 (1P), JP6 (2P)  
 3. CHECK VOLTAGE OF THE CONNECTOR  
 JP5 (1P), JP6 (2P)  
 PIN # 1, 2 : DC 5V  
 PIN # 4, 5 : GND

CHECK CONNECTION  
 OF THE JOIN CONNECTORS

NO

RECONNECT THE CONNECTORS

YES

[HOW TO CHECK]  
 1. CHECK CONNECTION OF THE  
 CONNECTORS

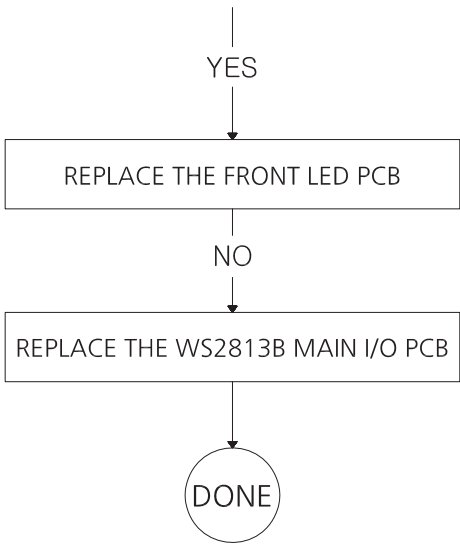
CHECK THE FRONT LED PCB

NO

RECONNECT THE INPUT CONNECTOR

YES

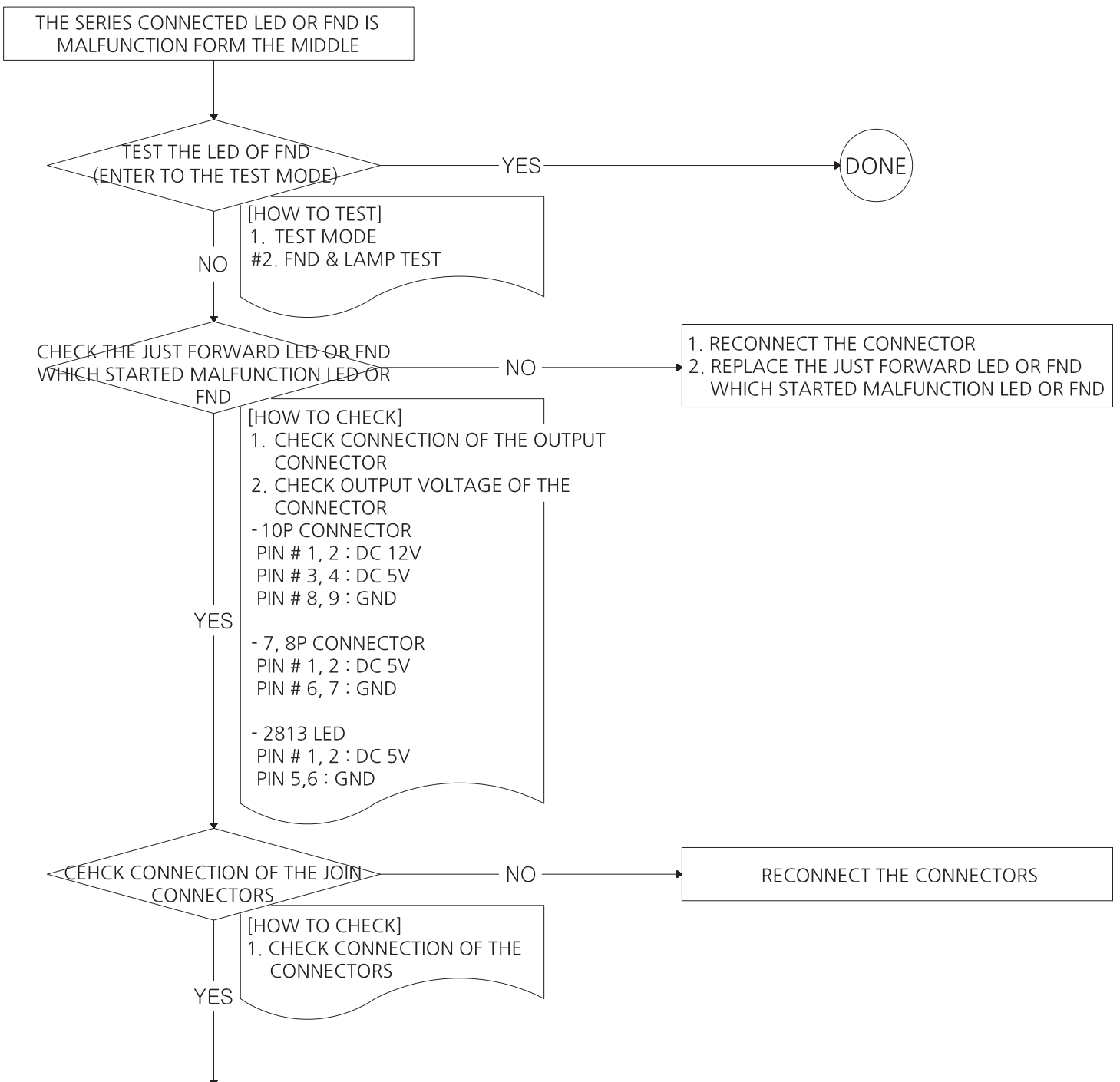
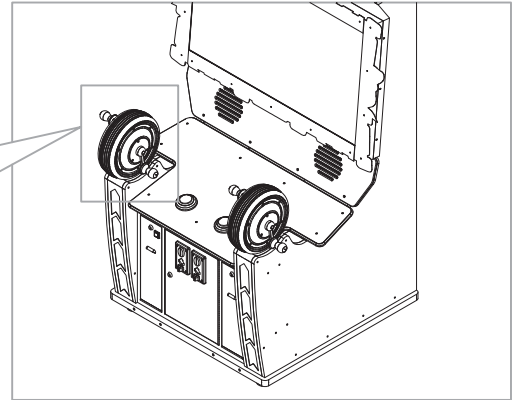
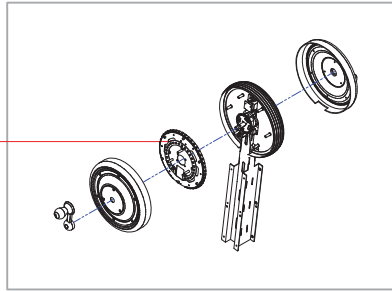
[HOW TO CHECK]  
 1. CHECK CONNECTION OF THE  
 INPUT CONNECTOR  
 2. CHECK INPUT VOLTAGE OF THE  
 CONNECTOR  
 PIN # 1, 2 : DC 5V  
 PIN # 5, 6 : GND

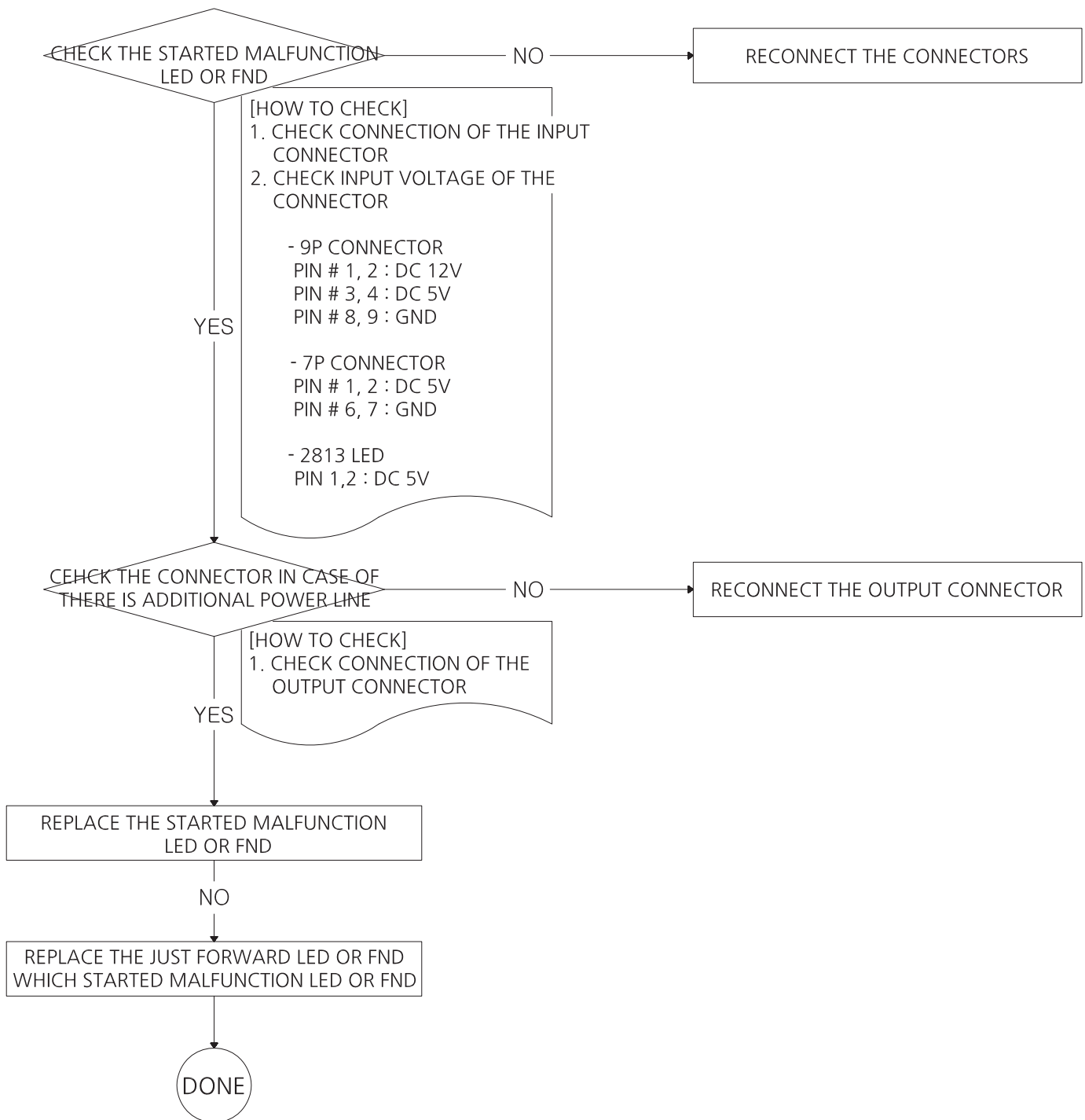


\* General : Check the supply voltage and wiring connection properly  
 \* "NO" : Means faulty of the check up result.

## 5. 1, 2P CONTROLLER SIDE LED PCB L,R ERROR

CONTROLLER SIDE LED PCB

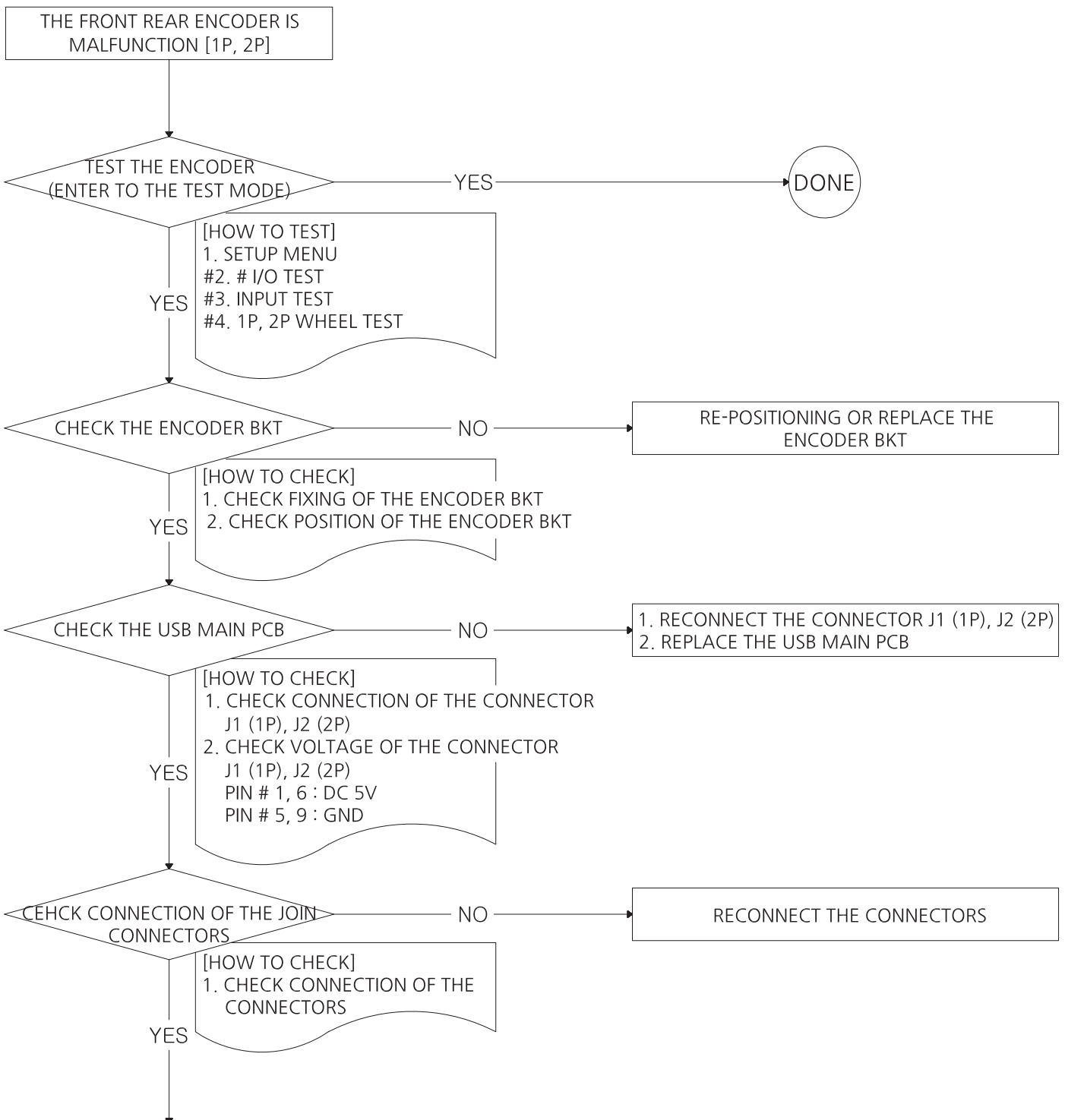
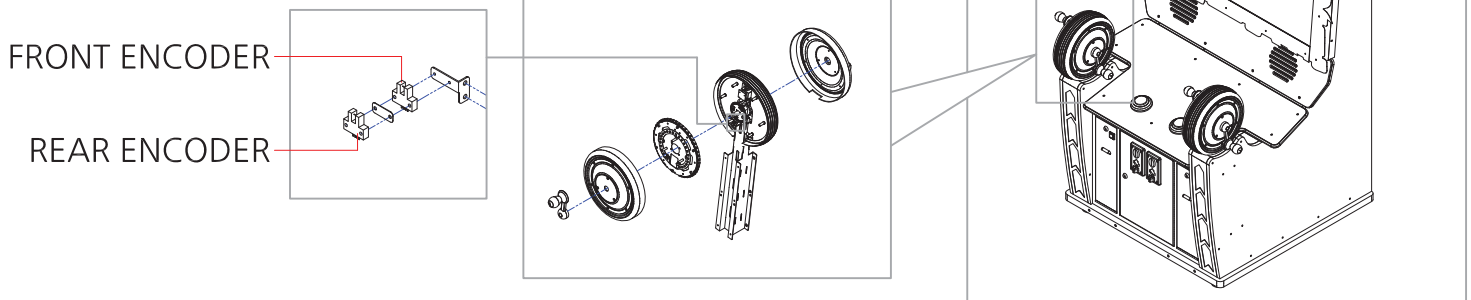


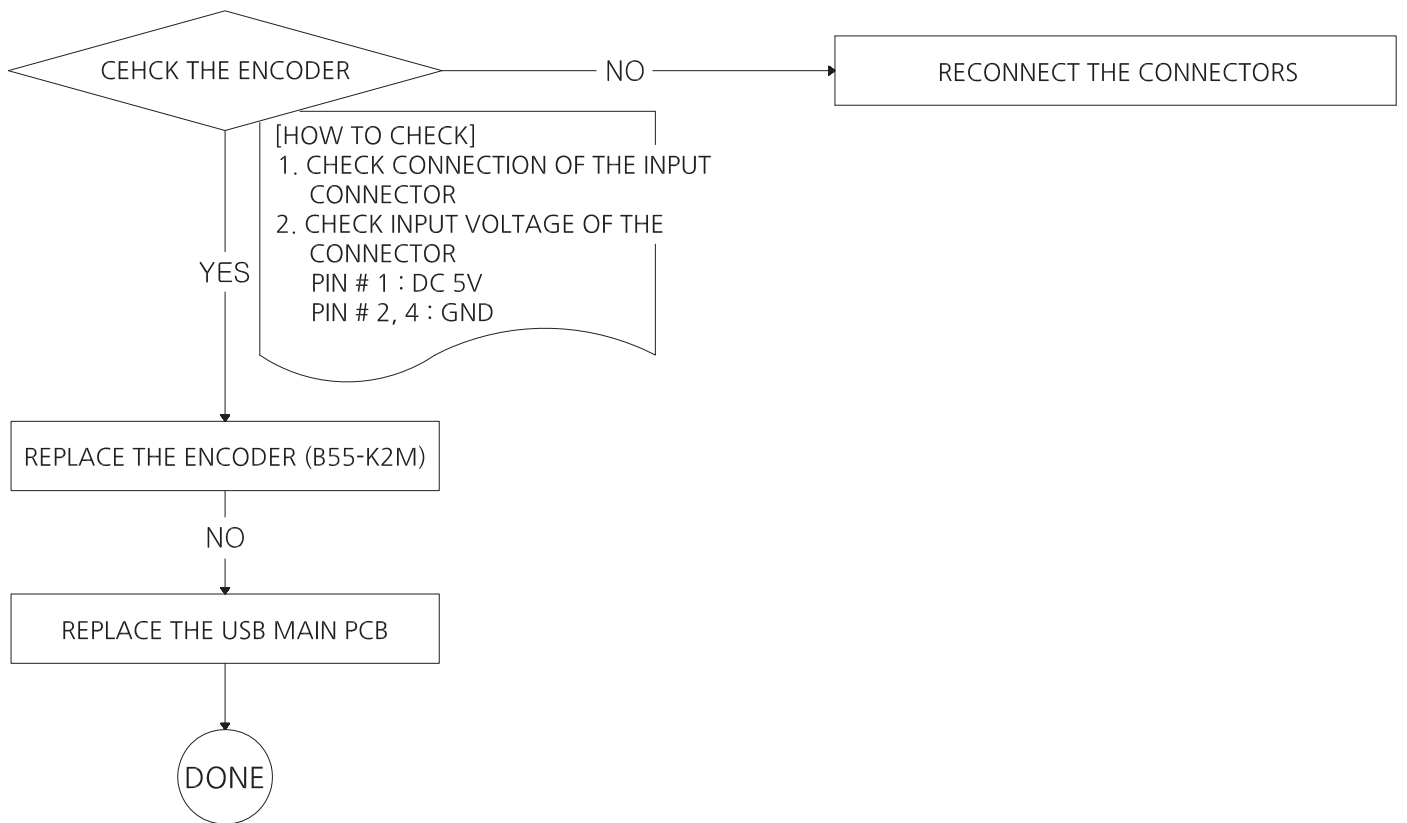




\* General : Check the supply voltage and wiring connection properly  
 \* "NO" : Means faulty of the check up result.

## 6. 1, 2P FRONT, REAR ENCODER ERROR

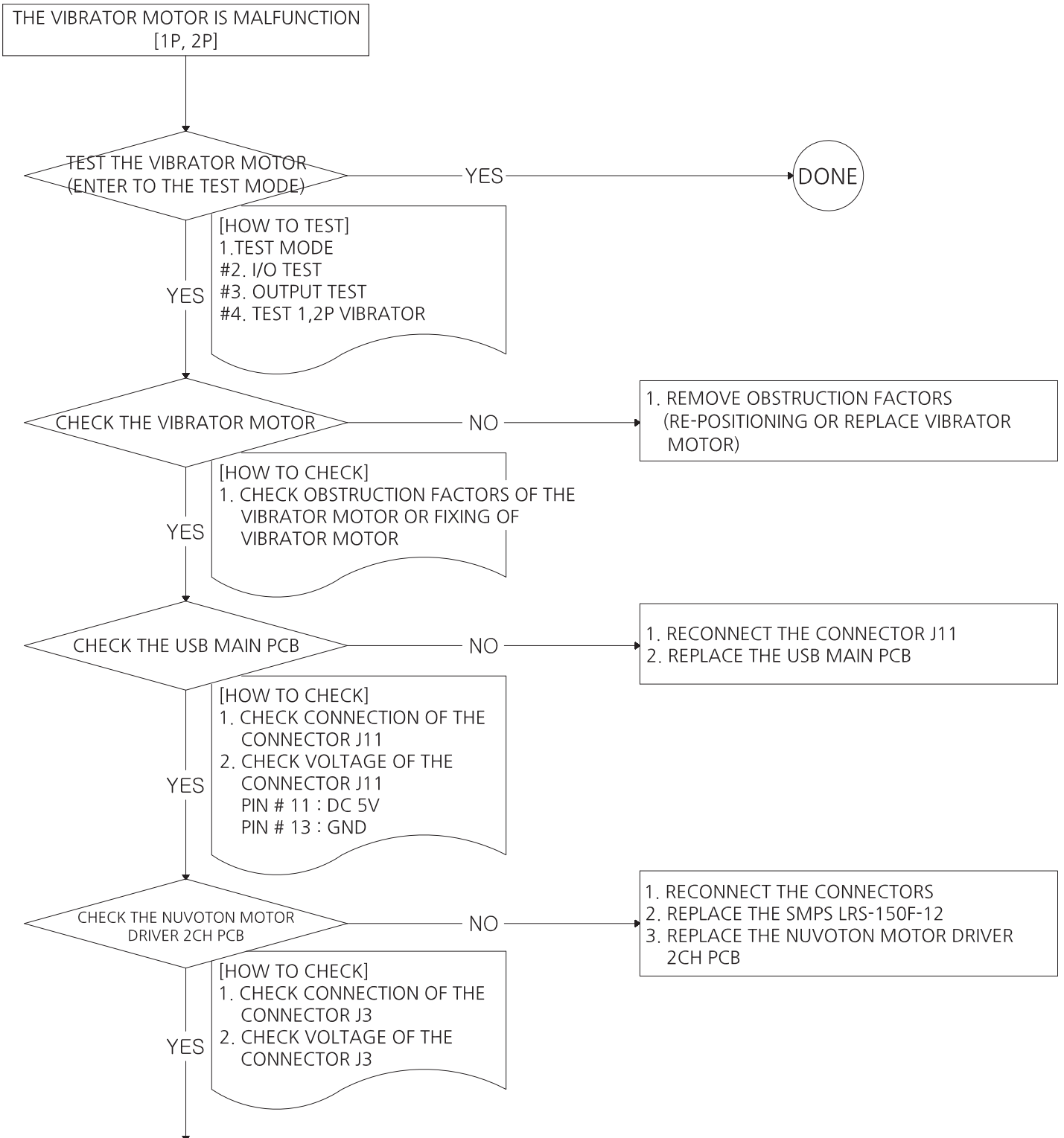
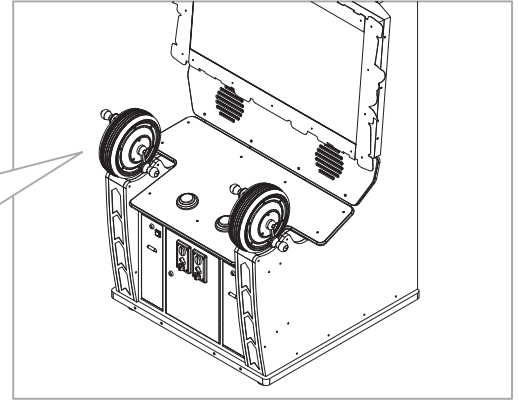
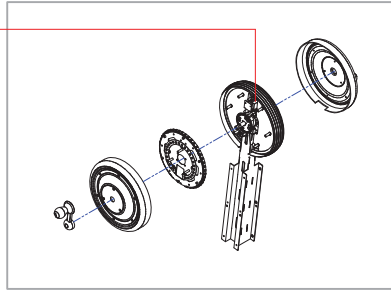


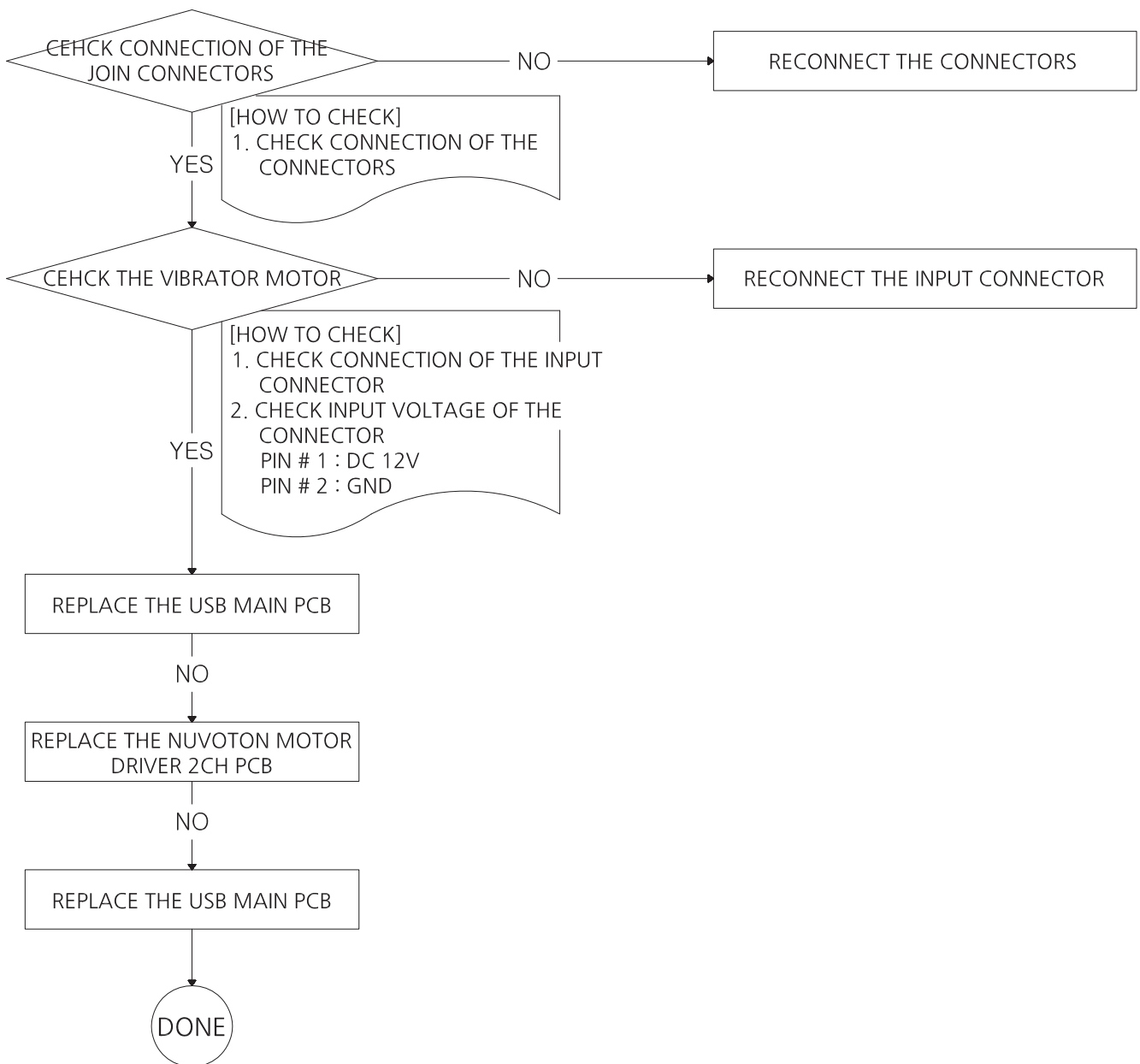


- \* General : Check the supply voltage and wiring connection properly
- \* "NO" : Means faulty of the check up result.

## 7. 1, 2P VIBRATOR MOTOR ERROR

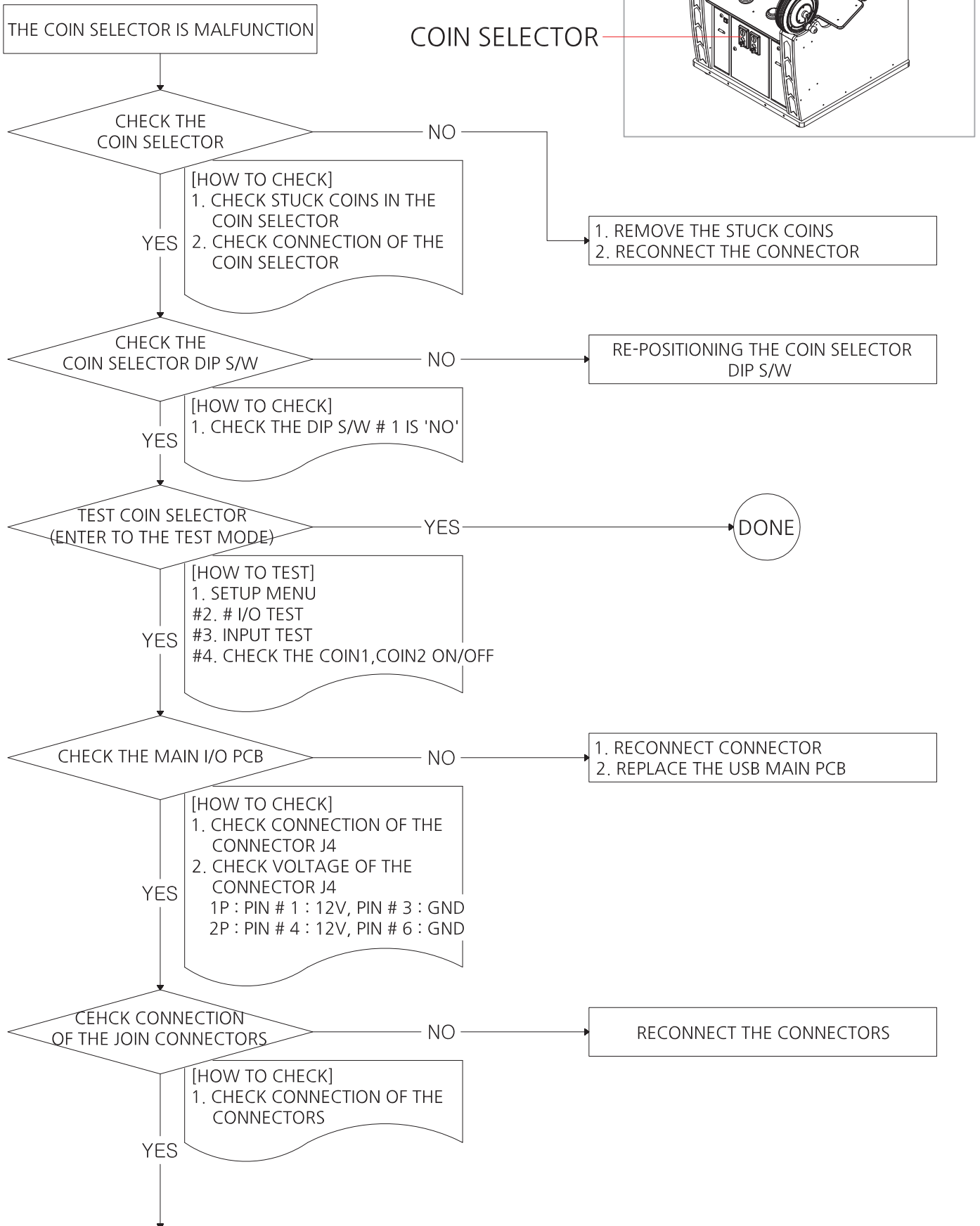
VIBRATOR MOTOR

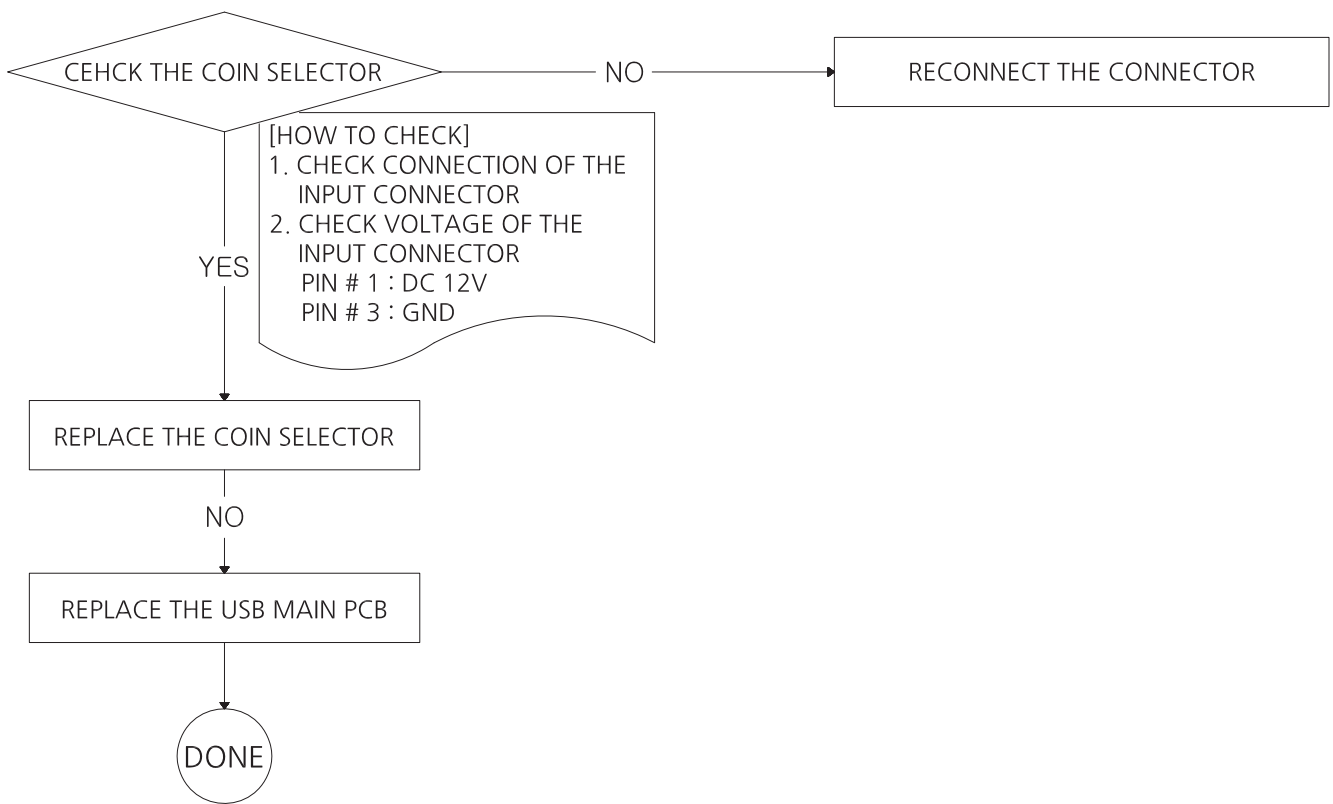




\* General : Check the supply voltage and wiring connection properly  
 \* "NO" : Means faulty of the check up result.

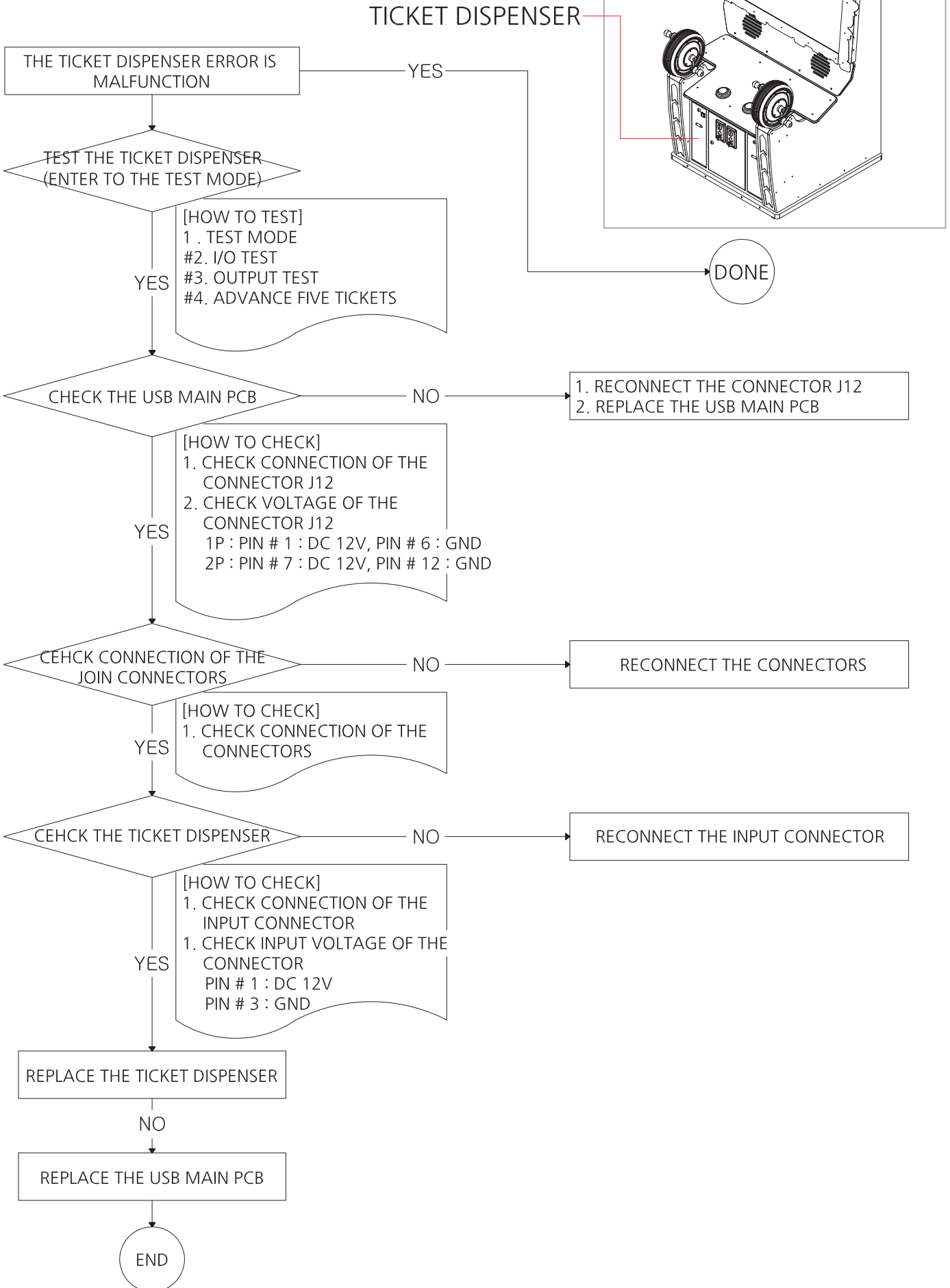
## 8. COIN SELECTOR ERROR





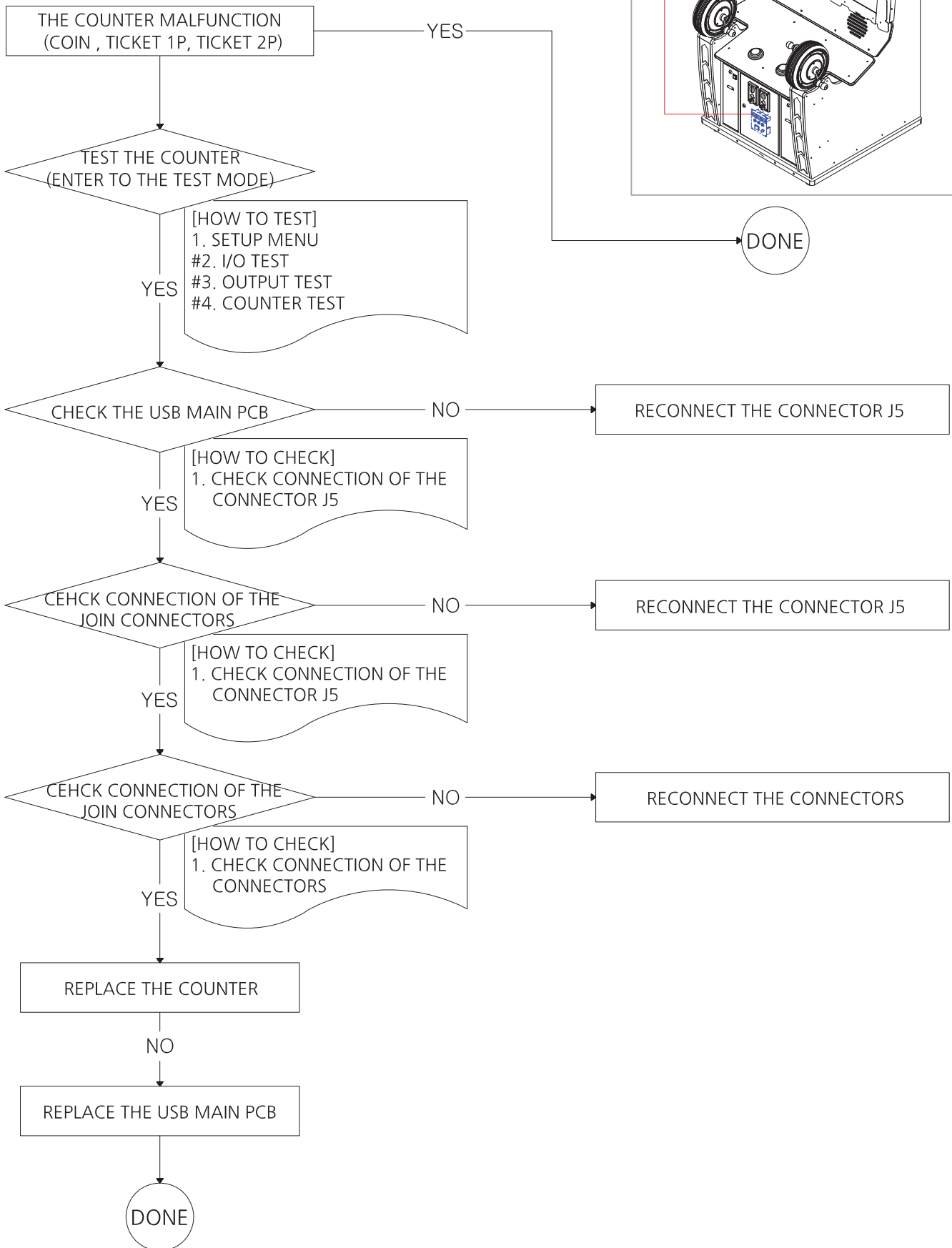
\* General : Check the supply voltage and wiring connection properly  
 \* "NO" : Means faulty of the check up result.

## 9. TICKET DISPENSER ERROR



\* General : Check the supply voltage and wiring connection properly  
 \* "NO" : Means faulty of the check up result.

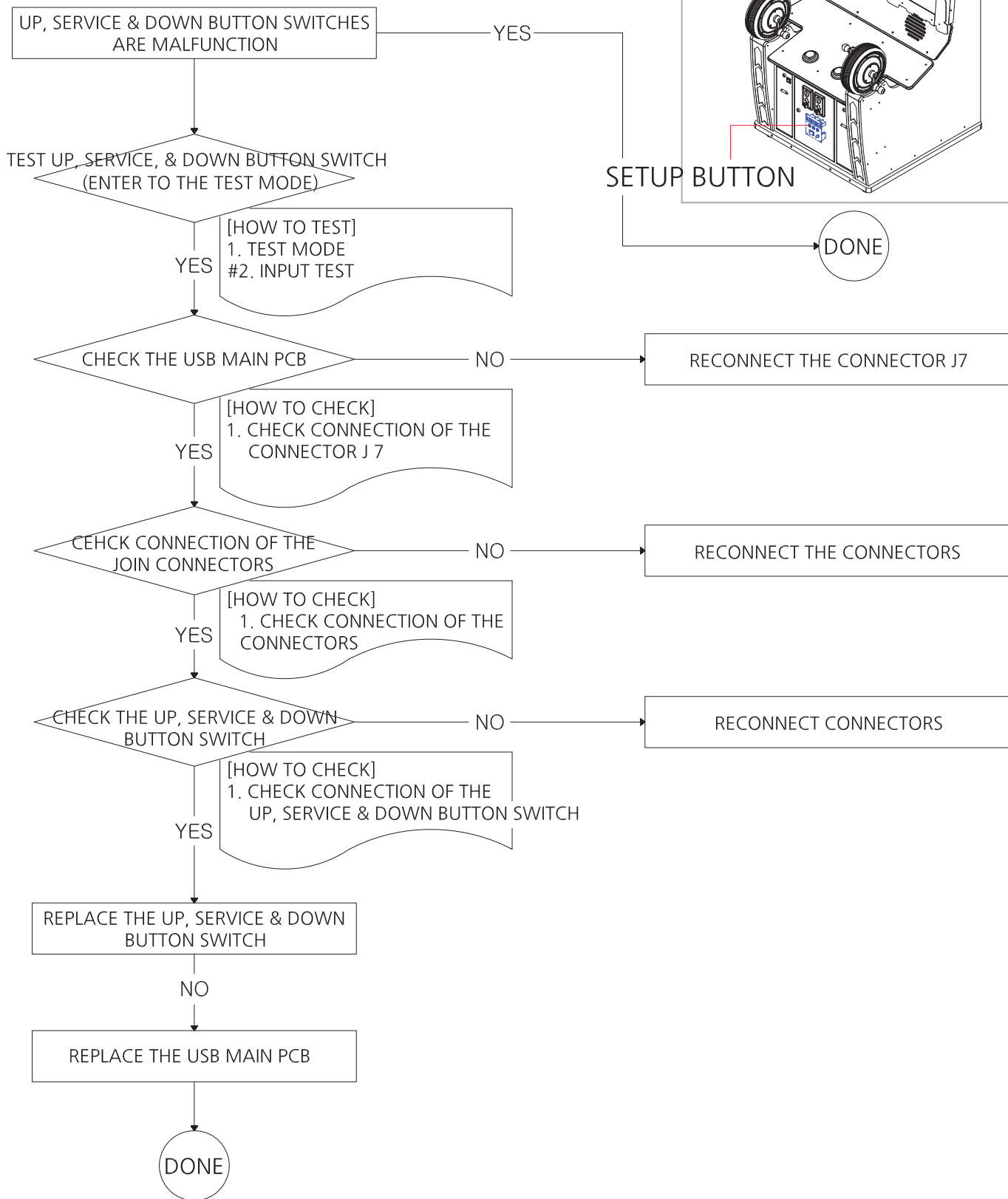
## 10. COUNTER ERROR





\* General : Check the supply voltage and wiring connection properly  
 \* "NO" : Means faulty of the check up result.

## 11. SETUP BUTTON ERROR



\* General : Check the supply voltage and wiring connection properly  
 \* "NO" : Means faulty of the check up result.

## 12. SOUND ERROR

