

*** ANDAMIRO WARRANTS the parts from date of shipment as follows.**

- One Year Limited Warranty : Electronic Boards**
- 6 Month Limited Warranty : Moving Parts**

CONTENTS

1. ERROR CODEP02
2. TEST MODEP03
3. TROUBLESHOOTINGP06
4. PART LISTP13

[1. ERROR CODE]

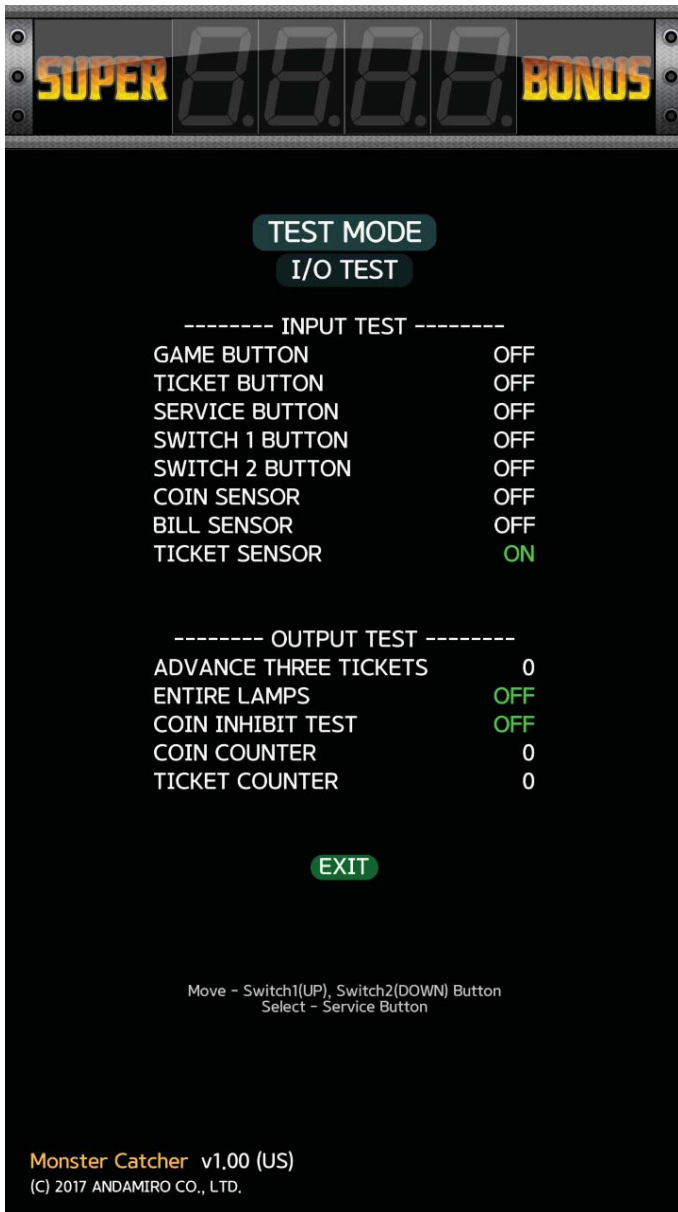
ERROR CODE	ERROR TYPE	DESCRIPTION and CHECK POINT	LIMITATIONS
E0-02	SYSTEM	SETUP DATA READ/WRITE ERROR 1. SETUP MENU -> FACTORY DEFAULT -> SYTEM REBOOT 2. REPLACE HDD IF STILL SAME PROBLEM	- Not operate coin - Not operate game button - Cannot play game
E0-03		SETUP DATA ERROR 1. SETUP MENU -> FACTORY DEFAULT -> SYSTEM REBOOT 2. REPLACE HDD IF STILL SAME PROBLEM	- Not operate coin - Not operate game button - Cannot play game
E0-10 E0-11		I/O BOARD CONNECTION ERROR OR I/O BOARD DISCONNECT ERROR 1. CHECK USB CONNECTION BETWEEN MK BOX AND I/O BOARD -> REBOOT THE SYSTEM 2. REPLACE I/O BOARD OR MK BOX IF STILL SAME PROBLEM	- Not operate All I/O - Cannot play game
E0-20		USB LOCK DEVICE CONNECTION ERROR 1. CHECK CONNECTION BETWEEN MK BOX AND USB LOCK 2. CHECK RED LED LIGHT IS ON AT USB LOCK 3. REPLACE USB LOCK OR MK BOX IF STILL SAME PROBLEM	- Not operate coin - Not operate game button - Cannot play game
E1-01		COIN MACHINE	COIN MACHINE SENSOR ERROR 1. CHECK 'NC', 'NO' SWITCH ON COIN MACHINE (IF IT IS ON 'NC', CHANGE TO 'NO' AND REBOOT) 2. CHECK SENSOR OF COIN MACHINE
E1-02	BILL MACHINE	BILL MACHINE SENSOR ERROR 1. CHECK SENSOR OF BILL MACHINE	- Not operate game button - Cannot play game
ET-01	TICKET ERROR	TICKET DISPENSING ERROR 1. CHECK TICKET JAM OR STOCK OF 1P TICKET MACHINE 2. CHECK SENSOR, MOTOR OF TICKET MACHINE. 3. REPLACE TICKET MACHINE IF STILL SAME PROBLEM	- No ticket dispensing

[2. TEST MODE]



- I/O TEST : Enter to test such as game button, ticket dispenser, coin dispenser, light and etc. of screen.
- SCREEN TEST : Enter to test such as display resolution, density, brightness, color representation and etc. of screen.
- EXIT : Exit 'I/O TEST', return to 'MAIN SETUP MENU' Page.

[I/O TEST]

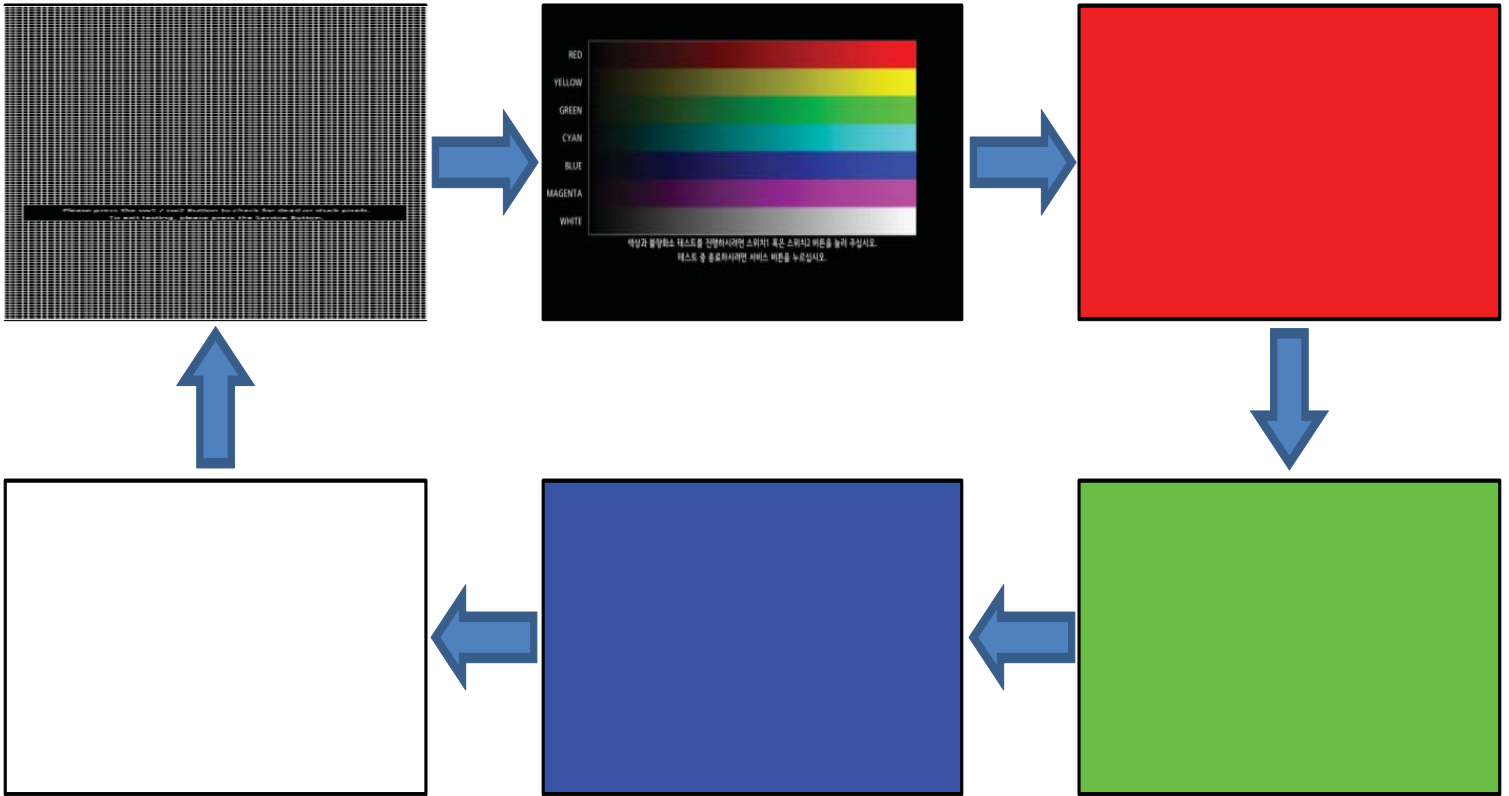


- GAME BUTTON : Test for GAME BUTTON.
Displayed as 'ON' when receiving input.
- TICKET BUTTON : Test for TICKET SWITCH BUTTON next to ticket dispenser. Displayed as 'ON' 1 when receiving input.
- SERVICE BUTTON : Test for SERVICE BUTTON on the control panel. Displayed as 'ON' when receiving input.
- SWITCH BUTTON : Test for SWITCH BUTTON on the control panel. Displayed as 'ON' when receiving input.
- COIN SENSOR : Test for COIN SENSOR.
Displayed as 'ON' when receiving input.
- BILL SENSOR : Test for BILL INSERT.
Displayed as 'ON' when receiving input.
- TICKET SENSOR : Test for TICKET SENSOR.
Displayed as 'ON' 1 when sensor was recognized.
- ADVANCE THREE TICKETS :
Test for TICKET RELEASE. Release three(3) tickets.
- ENTIRE LAMPS : Test for ENTIRE LAMPS - game button, side light, table light and ticket button.

SEQUENCE	ITEM	DESCRIPTION
1	OFF	Turn Off
2	ON	Turn On
3	ON -> OFF	ON -> OFF(0.5 second repeatedly)
4	ON->R->G->B	ON->Red->Green->Blue(0.5 second repeatedly)

- COIN INHIBIT TEST : Test for INHIBIT of coin
(ON : Coin machine on, OFF : Coin machine off)
- COIN COUNTER : When it was selected, adds 1 count of the coin counter.
- TICKET COUNTER : When it was selected, adds 1 count of the ticket counter.
- EXIT : Exit 'OUTPUT TEST'. Return to 'I/O TEST' MAIN Page.

[SCREEN TEST]

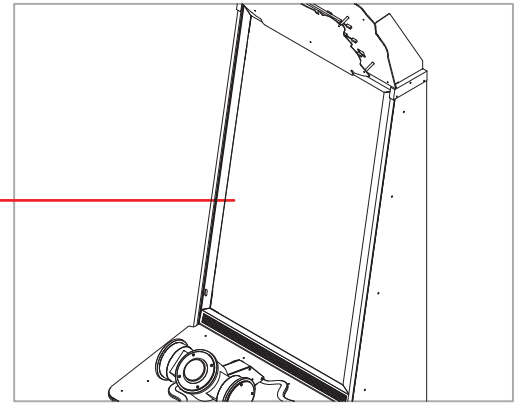


- Test for screen & output image on the monitor.

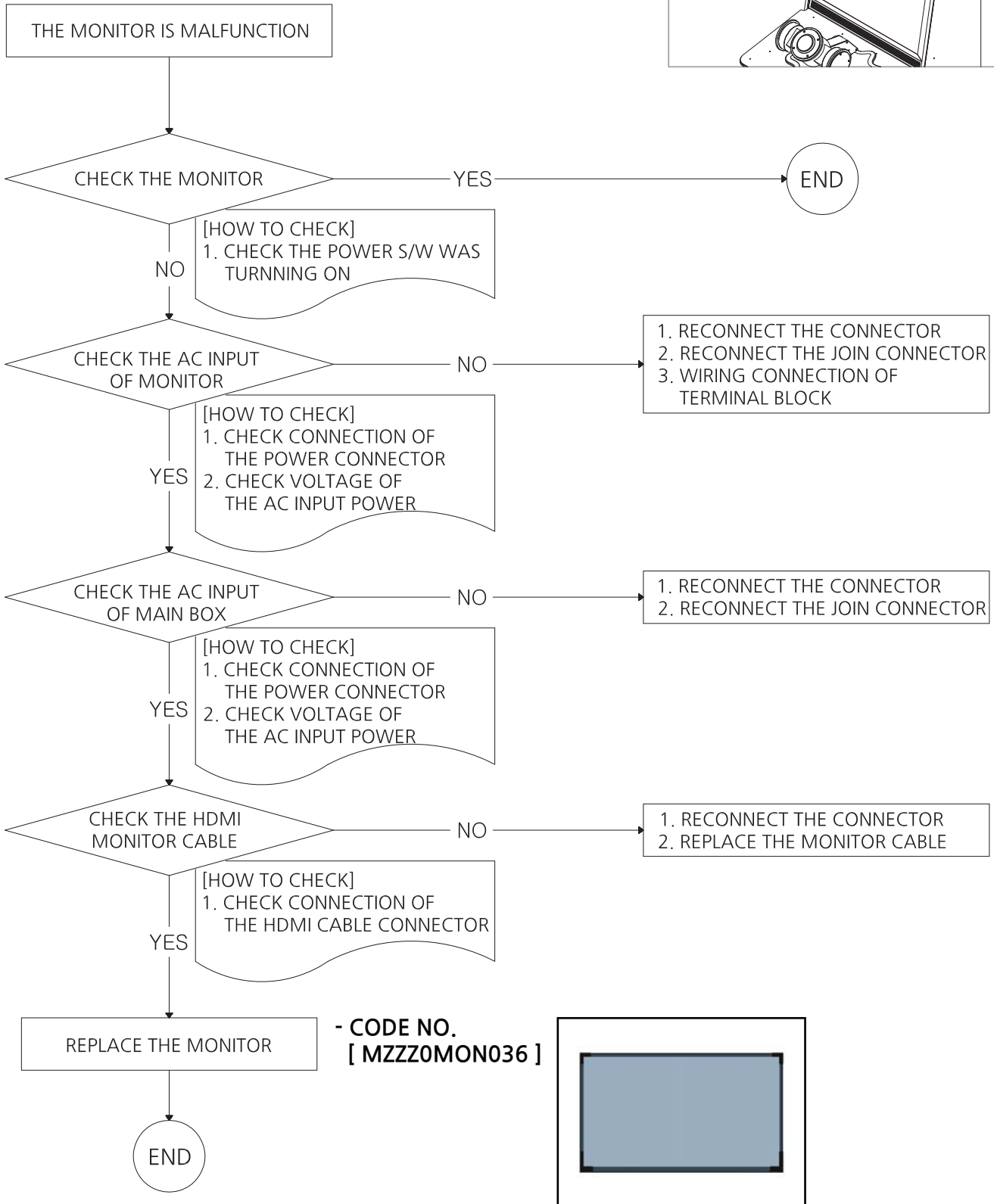
[3. TROUBLESHOOTING]

* General check up : Check the supply voltage and wiring connection properly
 * "NO" : Means faulty of the check up result.

3-1. MONITOR ERROR

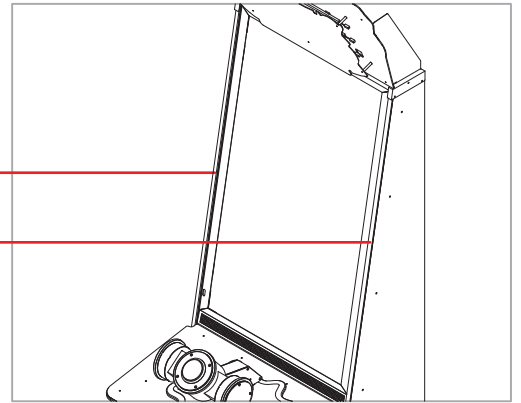


MONITOR

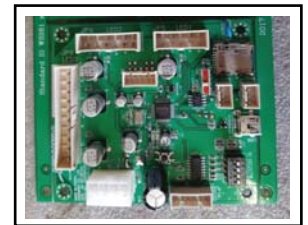
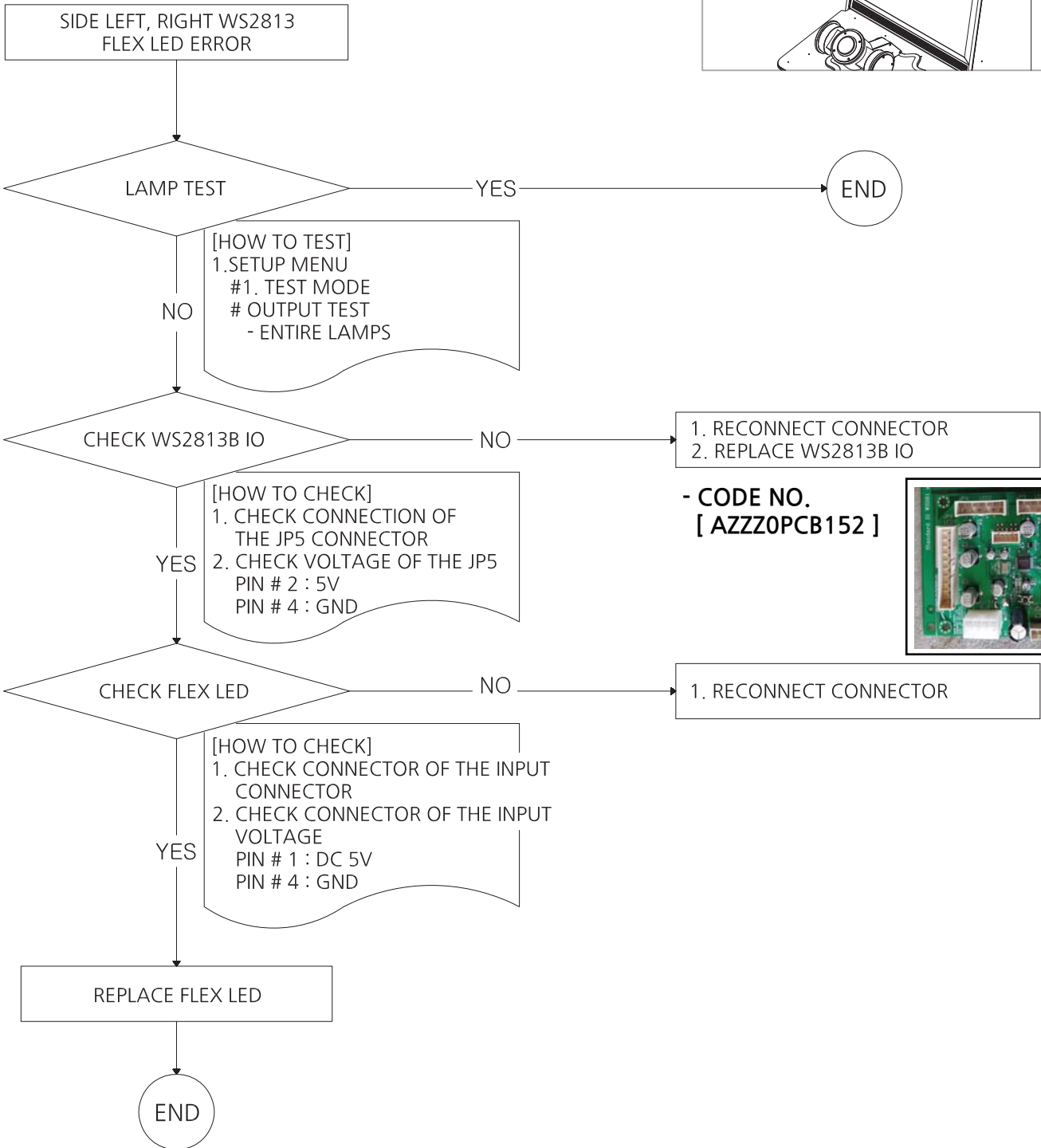


* General check up : Check the supply voltage and wiring connection properly
 * "NO" : Means faulty of the check up result.

3-2. SIDE LEFT, RIGHT WS2813 FLEX LED ERROR



SIDE LEFT FLEX LED
 SIDE RIGHT FLEX LED



* General check up : Check the supply voltage and wiring connection properly
 * "NO" : Means faulty of the check up result.

3-3. TABLE FLEX LED ERROR

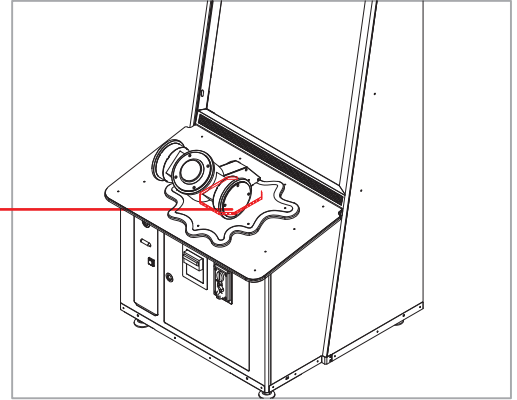
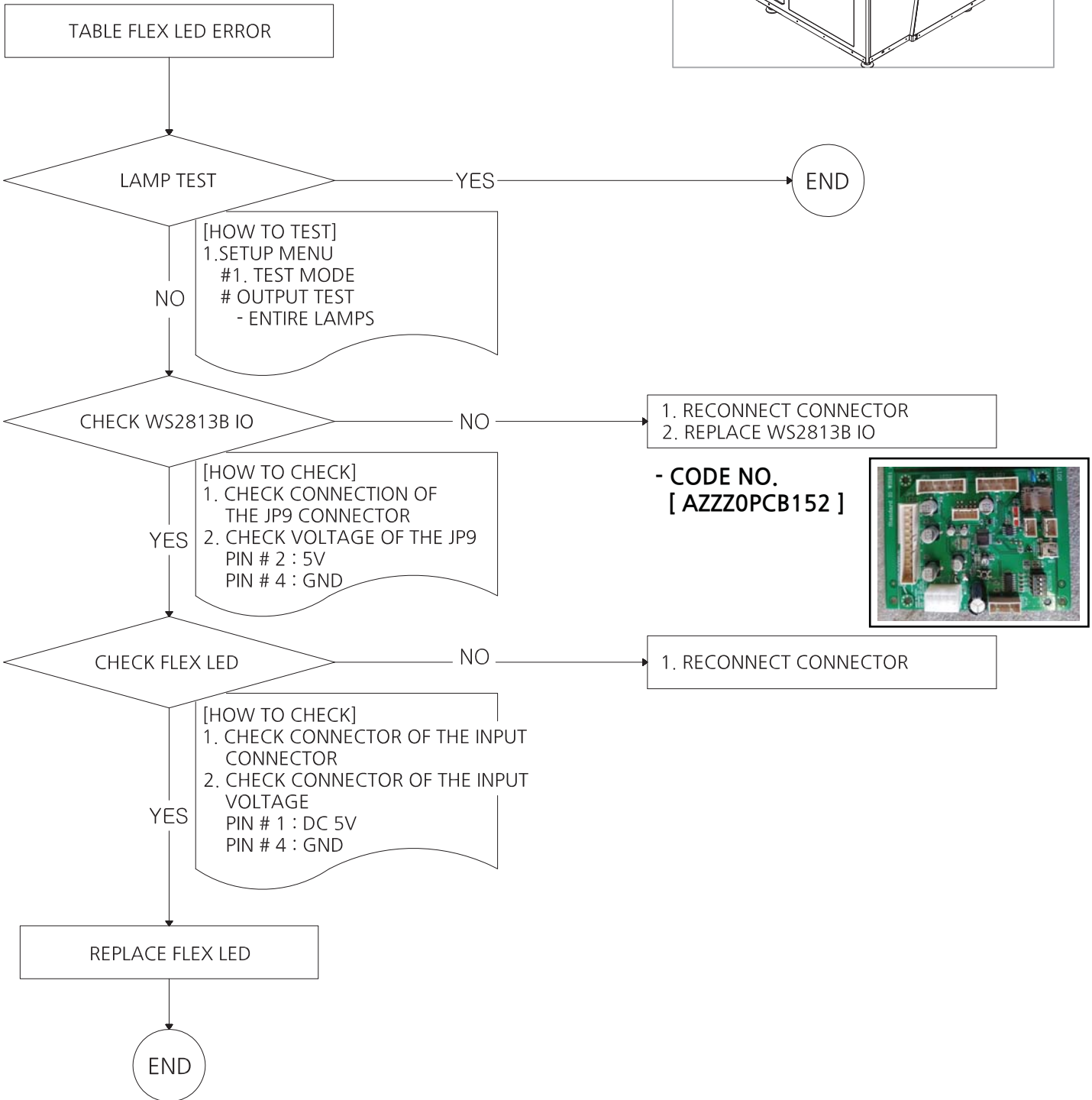


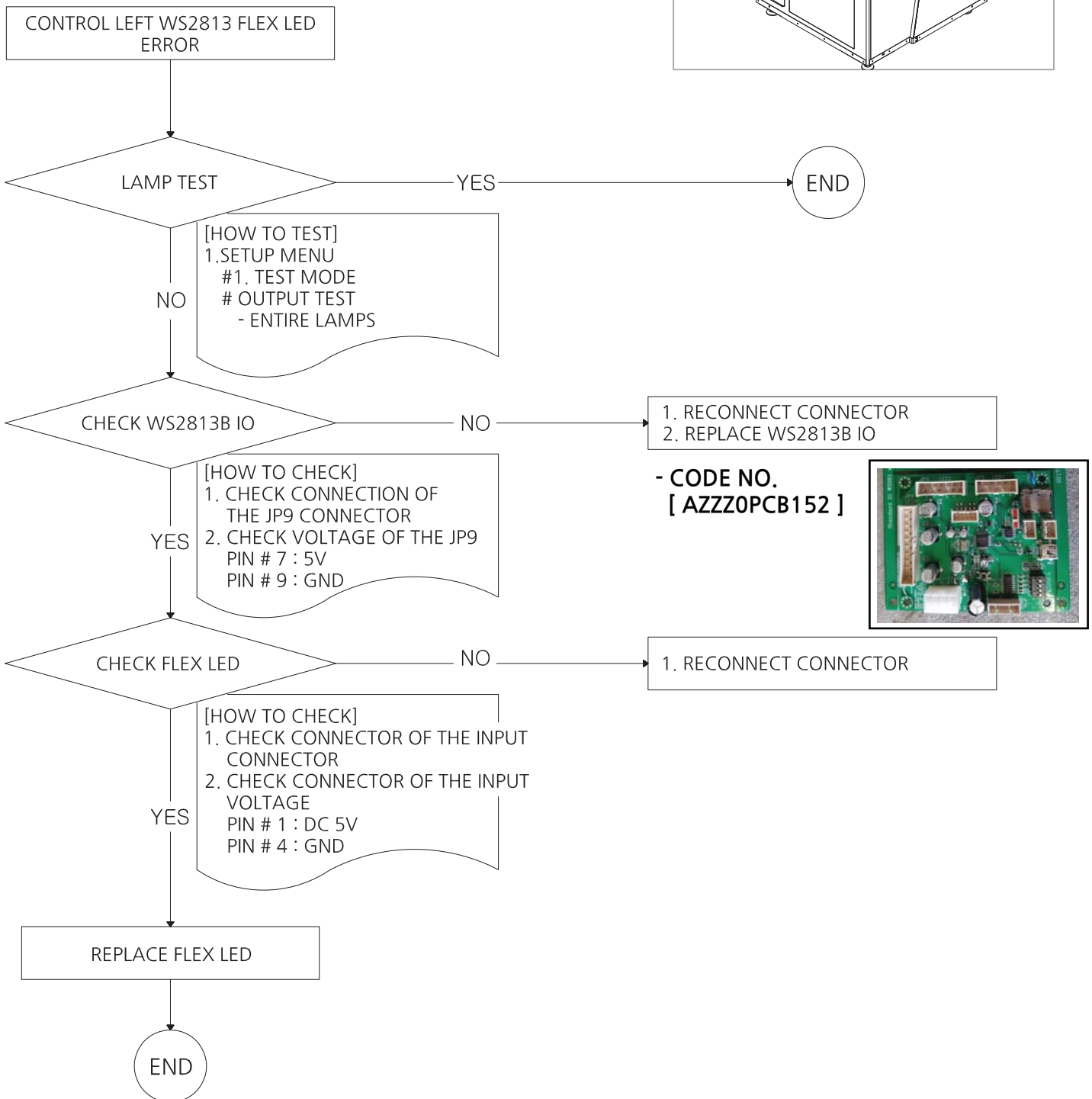
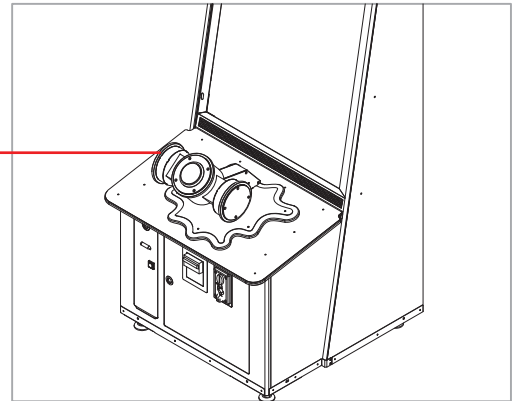
TABLE FLEX LED



* General check up : Check the supply voltage and wiring connection properly
 * "NO" : Means faulty of the check up result.

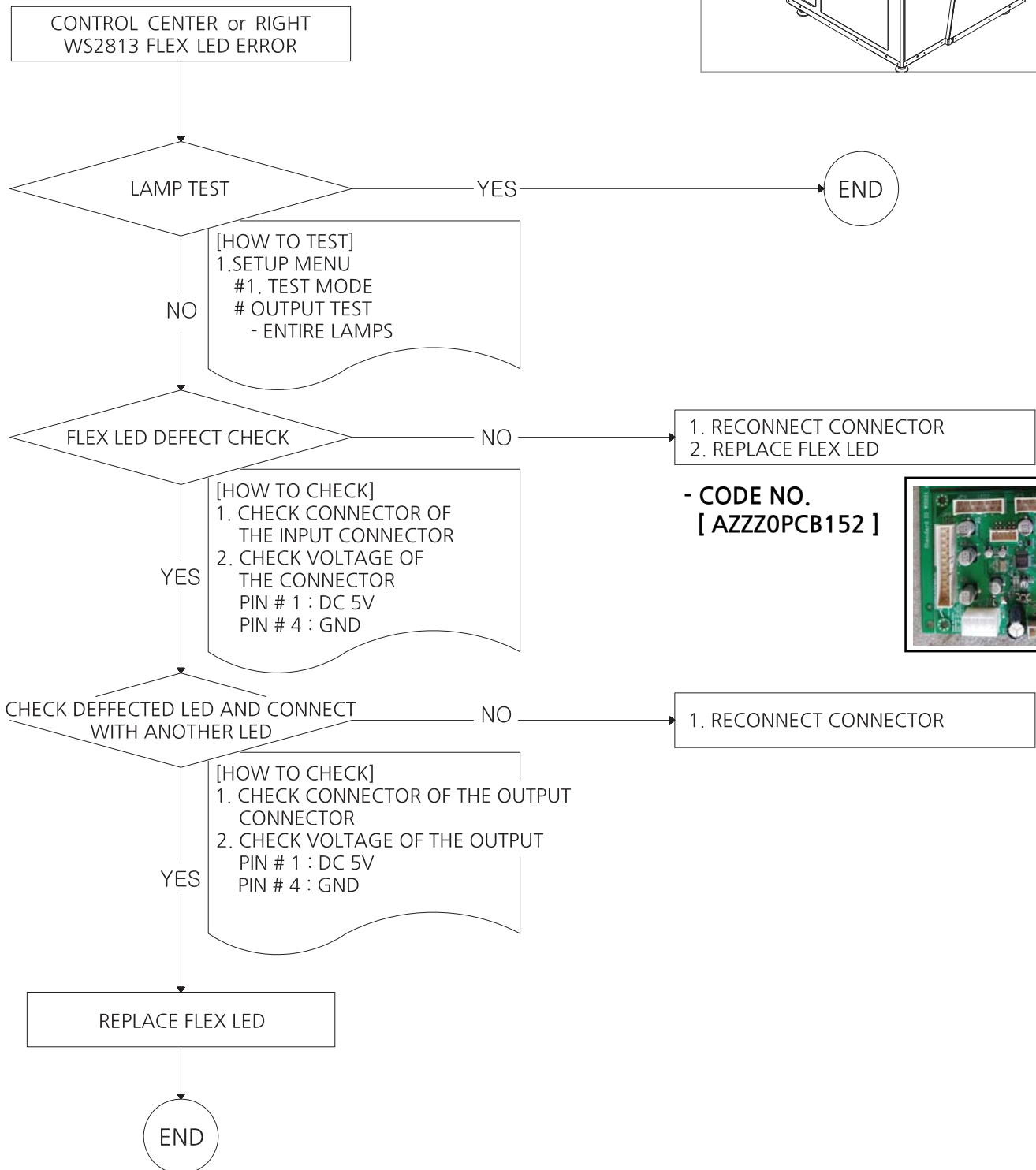
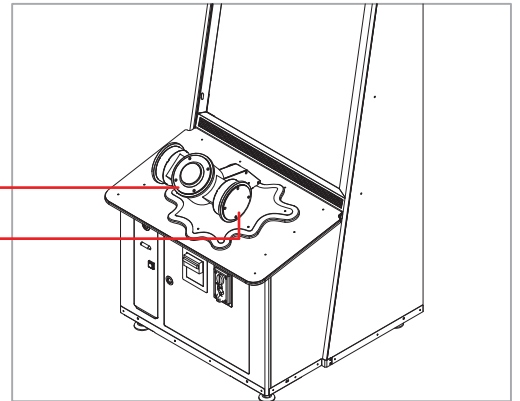
3-4. CONTROL LEFT WS2813 FLEX LED ERROR

CONTROL LEFT LED



* General check up : Check the supply voltage and wiring connection properly
 * "NO" : Means faulty of the check up result.

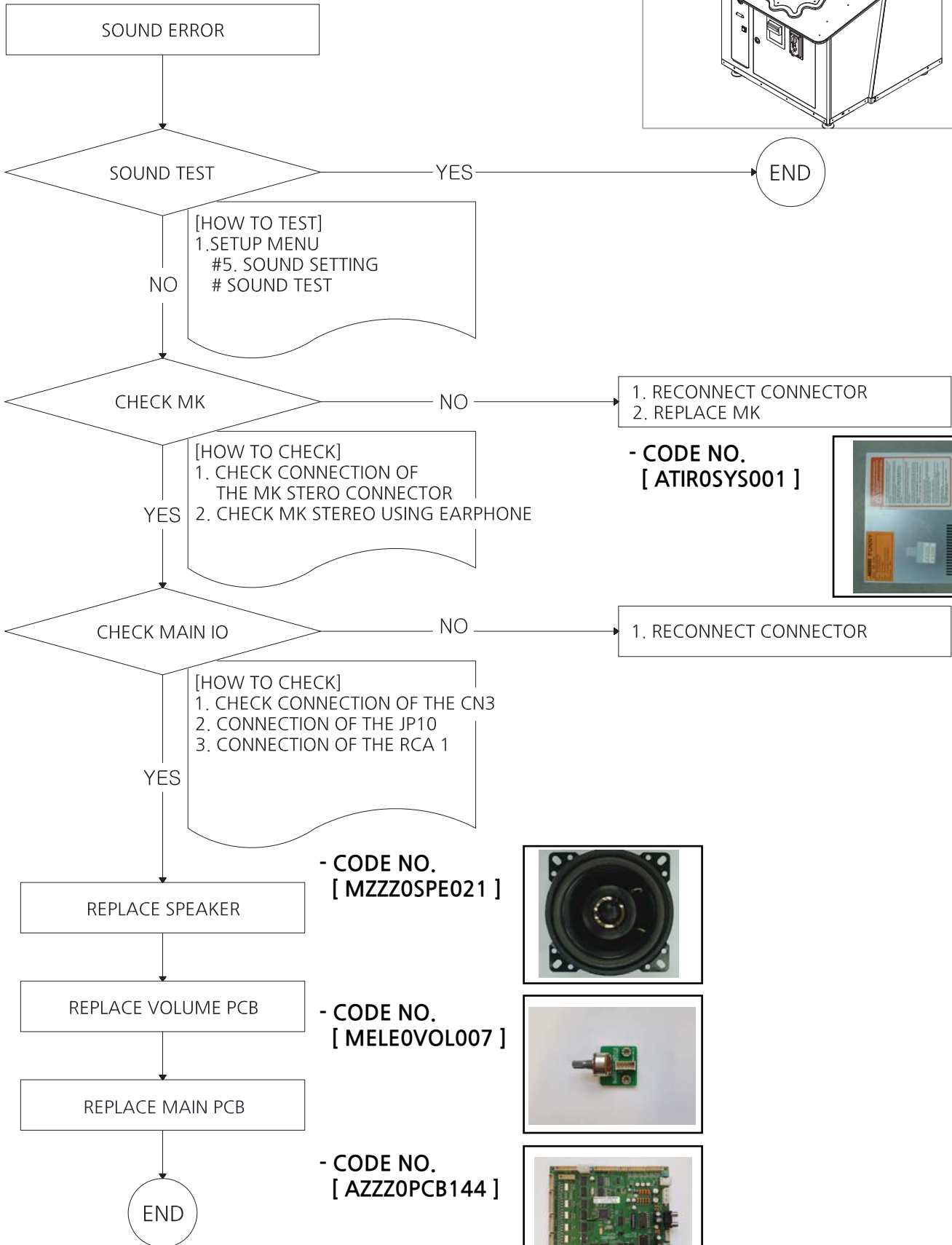
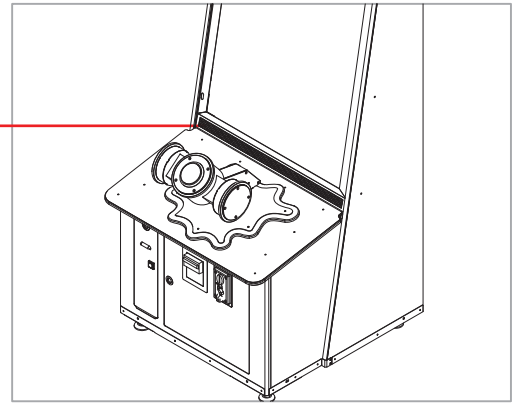
3-5. CONTROL CENTER or RIGHT WS2813 FLEX LED ERROR



* General check up : Check the supply voltage and wiring connection properly
 * "NO" : Means faulty of the check up result.

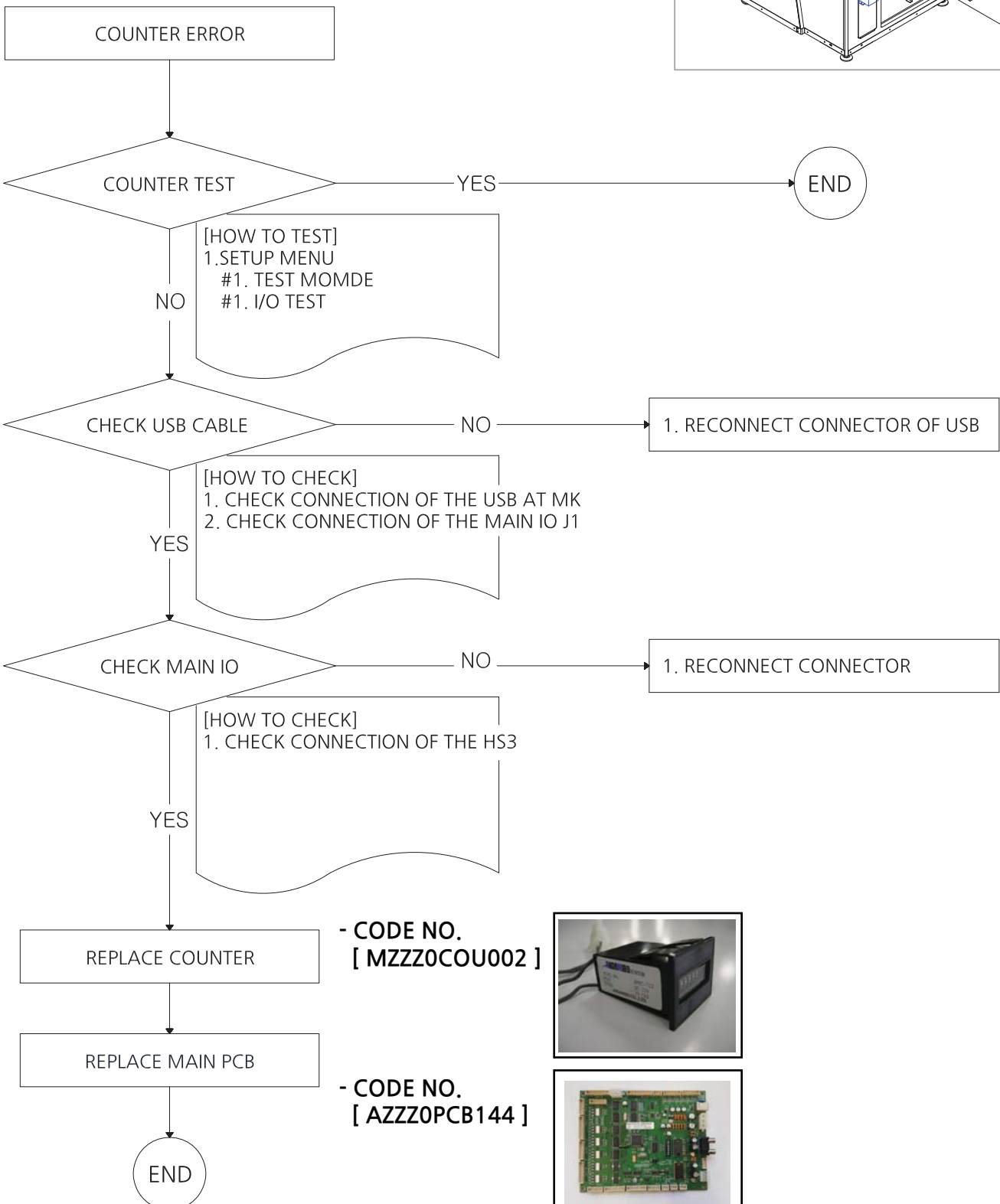
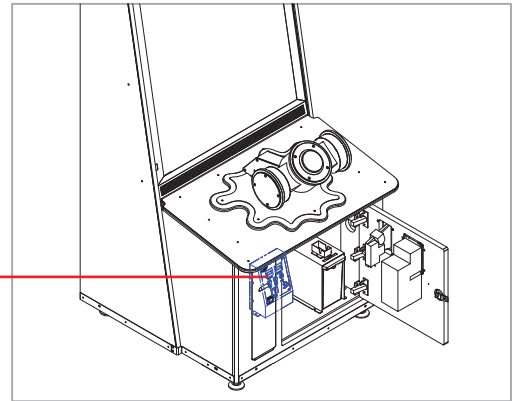
3-6. SOUND ERROR

SPEAKER



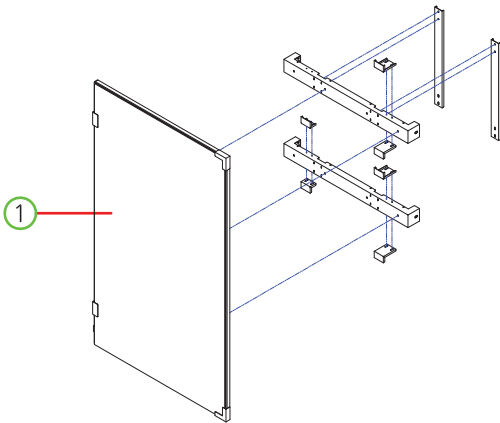
* General check up : Check the supply voltage and wiring connection properly
 * "NO" : Means faulty of the check up result.

3-7. COUNTER ERROR

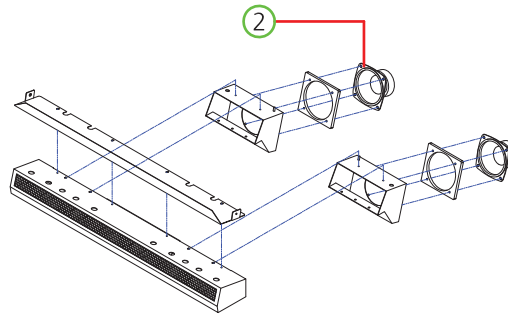


[4. PART LIST]

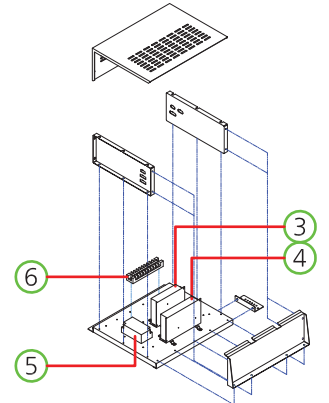
- MONITOR FRONT COVER PART



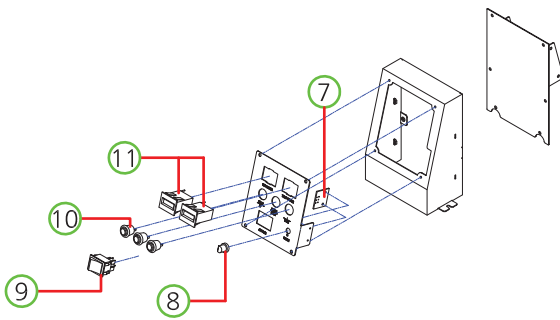
- SPEAKER COVER PART



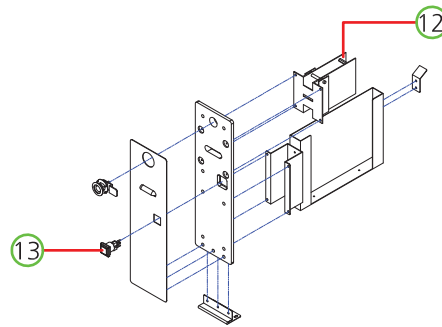
- SMPS PART



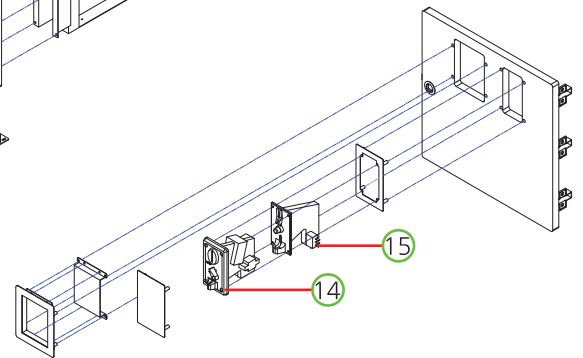
- SERVICE PANEL PART



- TICKET DISPENSER PART



- FRONT DOOR PART



MONITOR FRONT COVER PART

SPEAKER COVER PART

TABLE PANEL PART

FRONT DOOR PART

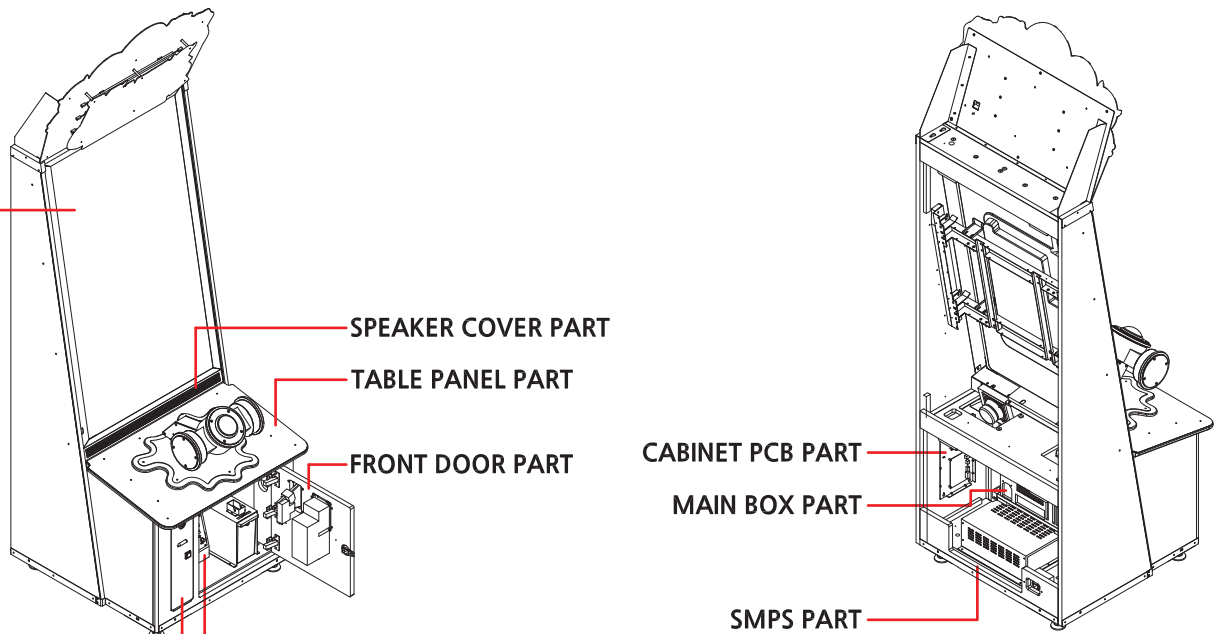
SERVICE PANEL PART

TICKET DISPENSER PART

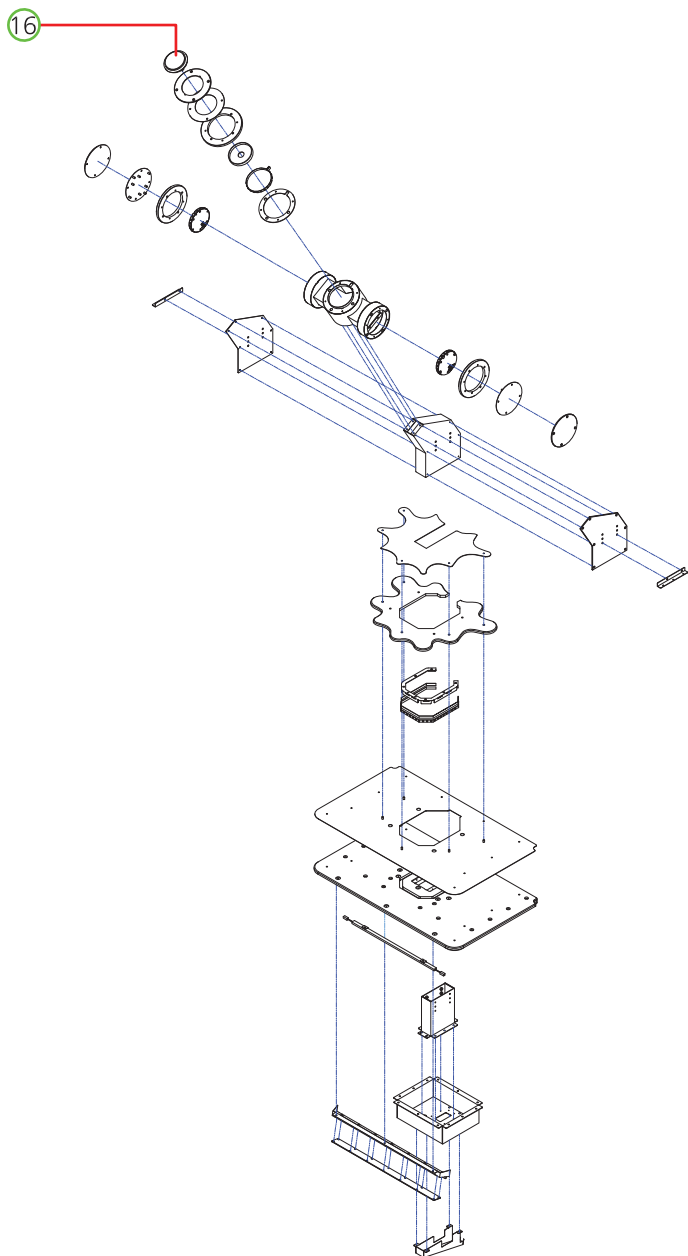
CABINET PCB PART

MAIN BOX PART

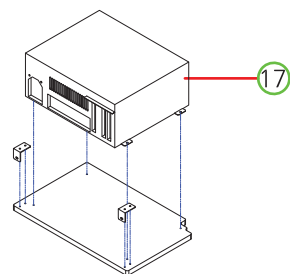
SMPS PART



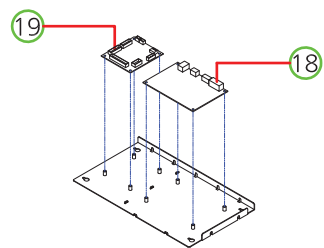
- MONITOR FRONT COVER PART









- MAIN BOX PART



- CABINET PCB PART



NO.	PIC	PART NAME	SPEC.	QTY	CODE NO.	WARRANTY	
						6 Month	One Year
①	○	LED MONITOR	LM5512	1	MZZZ0MON036		○
②	○	SPEAKER	MID4.5"+TW1/2" 8Ω	2	MZZZ0SPE021	N / A	N / A
③	○	POWER SMPS	LRS-100-5	1	MELE0SMP095		○
④	○	POWER SMPS	LRS-150F-12	1	MELE0SMP090		○
⑤	○	NOISE FILTER	RNS-2010	1	MELE0NOI009	N / A	N / A
⑥	○	TERMINAL BLOCK	250V, 10P	1	MELE0TEB003	N / A	N / A
⑦	○	VOLUME PCB ASS'Y	1 VOLUME	1	AHM20PCB016	N / A	N / A
⑧	○	VOLUME KNOB	CAP BLUE	1	MELE0VOL007	N / A	N / A
⑨	○	ROCKER SWITCH	R595KDF	1	MELE0SWI021	N / A	N / A
⑩	○	PUSH BUTTON SWITCH	DS-412R ROSH	3	MELE0PUS006	N / A	N / A
⑪	○	COUNTER	OA127CL	2	MZZZ0COU002	N / A	N / A
⑫	○	TICKET DISPENSOR	CLE CL-002Q	1	MZZZ0TID010	N / A	N / A
⑬	○	BUTTON SWITCH	TICKET AM1PB-26SH R12D	1	MMUM0BUT002	N / A	N / A
⑭	○	COIN SELECTOR [INT]	TW-389	1	MZZZ0COS052	N / A	N / A
⑮	○	COIN SELECTOR [CEC]	HS-03CS+SWITCH	1	MZZZ0COS028	N / A	N / A
⑯	○	BUTTON SWITCH	CWB 401-WHITE 100MM LED	1	MZZZ0BUT080	N / A	N / A
⑰	○	MK BOX ASS'Y	TIGHT ROPE	1	ATIR0SYS001		○
⑱	○	USB MAIN PCB ASS'Y	STAND IO	1	AZZZ0PCB144		○
⑲	○	WS2812B IO PCB ASS'Y	-	1	AZZZ0PCB152		○

1	2	3	4	5	6
					
MZZ0MON036	MZZ0SPE021	MELE0SMP095	MELE0SMP090	MELE0NOI009	MELE0TEB003

7	8	9	10	11	12
					
AHM20PCB016	MELE0VOL007	MELE0SWI021	MELE0PUS006	MZZ0COU002	MZZ0TID010

13	14	15	16	17	18
					
MMUM0BUT002	MZZ0COS052	MZZ0COS028	MZZ0BUT080	ATIR0SYS001	AZZZ0PCB144

19

AZZZ0PCB152